

Installation

S19314 Series

**Halo™ Combination Drench Shower
and Eyewash or Eye/Face Wash**

Patents Pending

**Halo™ Combiné douche oculaire
ou douche oculaire/ faciale**

Brevets en instance

**Halo™ Combinación de ducha de
aspersión y lavaojos o lavaojos/
rostro**

Patentes pendiente

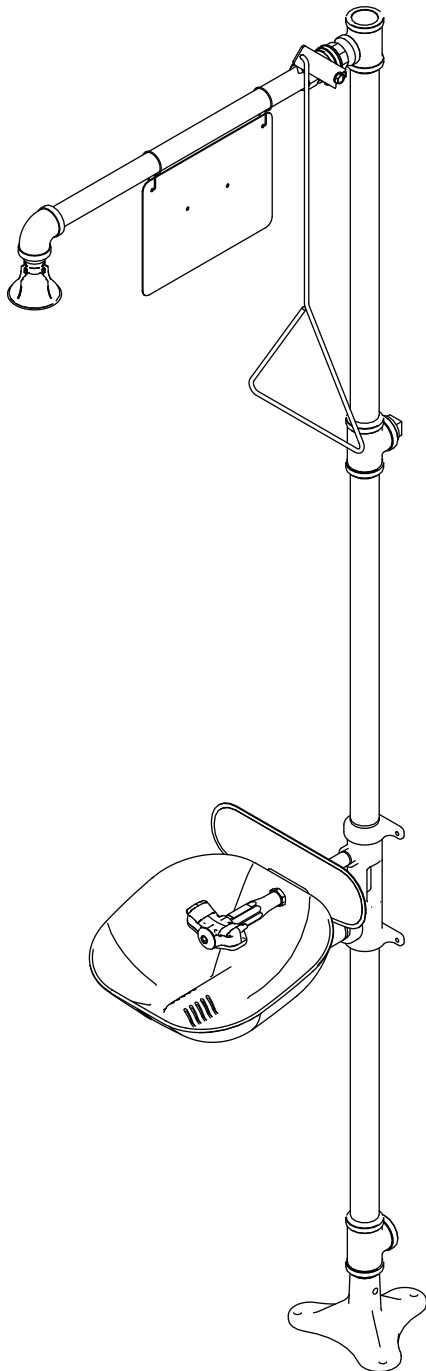
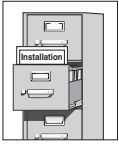


Table of Contents

Table of Contents	2
Pre-Installation Information	3
Halo Pre-Configured Models	4
Halo Configurator	5
Dimensions	6
Installation Instructions	7–8
Service Parts — Bowl and Hub	9–10
Service Parts — Eyewash, Eye/Face Wash and Bowl Covers	11–13
Service Parts — Base and Drain	14
Service Parts — Drench Shower	15–17
Service Parts — Optional Accessories	18
Avant l'installation	19
Configuration du produit	20
Dimensions	21
Instructions d'installation	22–23
Pièces de remplacement — Récepteur et moyeu	24–25
Pièces de remplacement — Douche oculaire, Douche oculaire/ faciale et couvercle anti-poussières	26–28
Pièces de remplacement — Bride et drain	29
Pièces de remplacement — Douche d'urgence	30–32
Pièces de remplacement — Accessoires en option	33
Información previa a la instalación	34
Configuración del producto	35
Dimensiones	36
Instrucciones de instalación	37–38
Piezas de repuesto — Receptor y buje	39–40
Piezas de repuesto — Lavajos, lavajos/rosto y cubierta contrapolvo	41–43
Piezas de repuesto — Base y drenaje	44
Piezas de repuesto — Ducha de aspersión	45–47
Piezas de repuesto — Accesorios opcionales	48

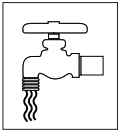
IMPORTANT



Read this installation manual completely to ensure proper installation, then file it with the owner or maintenance department. Compliance and conformity to drain requirements and other local codes and ordinances is the responsibility of the installer.



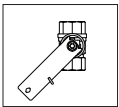
Separate parts from packaging and make sure all parts are accounted for before discarding any packaging material.



Flush the water supply lines before beginning installation and after installation is complete. Test the unit for leaks and adequate water flow. Main water supply to the eyewash should be "ON" at all times. Provisions shall be made to prevent unauthorized shutoff.



The ANSI Z358.1 standard requires an uninterrupted supply of flushing fluid. Bradley plumbed emergency fixtures require a minimum of 30 PSI (0.21MPa) flowing pressure. Flushing fluid should be tepid per ANSI Z358.1.



Self-closing spring-loaded valves are not UL classified to ANSI Z358.1.



The inspection and testing results of this equipment should be recorded weekly to verify proper operation. This equipment should be inspected annually to ensure compliance with ANSI Z358.1.



Workers who may come in contact with potentially hazardous materials should be trained regarding the placement and proper operation of emergency equipment per ANSI Z358.1.



For questions regarding the operation or installation of this product, visit www.bradleycorp.com or call 800-BRADLEY (272.3539).

Product warranties and parts information may also be found under "Products" on our web site at bradleycorp.com.

Supplies Required:

- (3) 3/8" floor anchors and bolts
- Teflon tape and pipe sealant
- Piping to 1 1/4" NPT water supply inlet (30–90 psi)
- Piping to 1 1/4" NPT drain outlet on unit (if included with unit)
- Adequate supply pipe supports
- Provisions to dispose of shower waste water (minimum 30 gallons [115 liters]) should be made (minimum 4" [102mm] drain.
- OPTIONAL: sign-mounting hardware



Local codes may require the installation of a backflow prevention valve to complete proper installation. Compliance with local codes is the responsibility of the installer. Valve must be tested annually to verify that it is functioning properly. Backflow prevention valves are not included with the fixture and may be supplied by the contractor or purchased from Bradley Corporation.

Halo Pre-Configured Models

Halo Model Number	Description
Eyewashes	
<input type="checkbox"/> S19314EW*	Halo Eyewash, plastic showerhead & bowl
<input type="checkbox"/> S19314P*	Halo Eyewash, plastic showerhead & bowl w/ hose spray
<input type="checkbox"/> S19314SB*	Halo Eyewash, plastic showerhead, stainless steel bowl
<input type="checkbox"/> S19314LL*	Halo Eyewash, plastic showerhead, stainless steel bowl, hand/foot activated
<input type="checkbox"/> S19314F*	Halo Eyewash, plastic showerhead w/ stainless steel shroud & bowl
<input type="checkbox"/> S19314UU*	Halo Eyewash, plastic showerhead w/ stainless steel shroud & bowl, hand/foot operated eyewash
Eyewashes with Dust Cover	
<input type="checkbox"/> S19314PDC*	Halo Eyewash, plastic showerhead & bowl w/ dust cover
<input type="checkbox"/> S19314DC*	Halo Eyewash, plastic showerhead, stainless steel bowl & hinged dust cover
Eye-Face Washes	
<input type="checkbox"/> S19314FW*	Halo Eye/face wash, plastic showerhead & bowl
<input type="checkbox"/> S19314SBFW*	Halo Eye/face wash, plastic showerhead, stainless steel bowl
<input type="checkbox"/> S19314AC*	Halo Eye/face wash, plastic showerhead, stainless steel bowl, hand/foot operated eyewash
<input type="checkbox"/> S19314TT*	Halo Eye/face wash, plastic showerhead w/ stainless steel shroud & bowl
<input type="checkbox"/> S19314SPR*	Halo Eye/face wash, stainless steel showerhead & bowl, hand/foot operated eyewash
<input type="checkbox"/> S19314BFPB*	Halo Eye/face wash, barrier-free, plastic showerhead & bowl
<input type="checkbox"/> S19314BF*	Halo Eye/face wash, barrier-free, plastic showerhead, stainless steel bowl
Eye-Face Washes with Dust Covers	
<input type="checkbox"/> S19314PDCFW*	Halo Eye/face wash, plastic showerhead & bowl w/ dust cover
<input type="checkbox"/> S19314DCFW*	Halo Eye/face wash, plastic showerhead, stainless steel bowl & hinged dust cover
<input type="checkbox"/> S19314DCBF*	Halo Eye/face wash, barrier-free, plastic showerhead, stainless steel bowl w/ dust cover
Eye-Face Washes without Eyewash Bowl	
<input type="checkbox"/> S19314GG*	Halo Eye/face wash, plastic showerhead, no bowl
All Stainless Steel Eye-Face Wash	
<input type="checkbox"/> S19314BFSS	Halo stainless steel eye/face wash and showerhead, barrier free
<input type="checkbox"/> S19314FSS	Halo stainless steel eye/face wash and showerhead
<input type="checkbox"/> S19314SC	Halo stainless steel eye/face wash, bowl, cover and showerhead
<input type="checkbox"/> S19314SS	Halo stainless steel eye/face wash and showerhead with foot activation
<input type="checkbox"/> S19314SS16	Halo 316 stainless steel eye/face wash and showerhead with foot activation

* European models available. For European model number, add a Z to end of existing part number. For example, S19314EW will be S19314EWZ.

Halo Configurator

Standard Selections (Must select one from each category)

Configuration

- A** Barrier Free
- B** 24" Drain Height
- C** 24" Drain Height, Barrier Free
- O** Standard, 6" Drain Height

Pipe Material

- A** NPT, Yellow BradTect Galvanized Steel
- B** NPT, All 304 Stainless Steel
- C** NPT, All 316 Stainless Steel*
- D** NPT, Chrome-Plated
- F** BSP, Yellow BradTect Galvanized Steel‡
- G** BSP, All 304 Stainless Steel‡
- J** BSP, Chrome-Plated‡

Ball Valve

- 1** Stay-Open Shower and Eyewash, Chrome-Plated Brass
- 2** Stay-Open Shower and Eyewash, 316 SS
- 3** Self-Closing Shower and Stay-Open Eyewash, Chrome-Plated Brass**

Showerhead

- A** Plastic Showerhead
- B** Plastic Showerhead with Plastic Shroud
- C** Plastic Showerhead with Stainless Steel Shroud
- D** 304 SS High Performance Showerhead
- E** 316 SS High Performance Showerhead

Eyewash – Eye/Face Wash

- A** Halo Eyewash
- B** Halo Eye/Face Wash
- D** Halo Eyewash, 304 SS Yoke
- E** Halo Eye/Face Wash, 304 SS Yoke
- F** 304 SS Halo Eye/Face Wash, 304 SS Yoke
- G** Halo Eyewash, 316 SS Yoke
- H** Halo Eye/Face Wash, 316 SS Yoke
- J** 316 SS Halo Eye/Face Wash, 316 SS Yoke

Bowl and Dust Cover

- A** Plastic Bowl, No Dust Cover
- B** Plastic Bowl, Plastic Dust Cover
- D** 304 SS, No Dust Cover
- E** 304 SS, 304 SS Dust Cover
- F** 304 SS, Plastic Dust Cover
- G** 316 SS, No Dust Cover
- H** 316 SS, 316 SS Dust Cover
- J** 316 SS, Plastic Dust Cover
- O** No Bowl or Dust Cover

Activation

- A** 304 SS Handle
- B** 316 SS Handle
- C** 304 SS Handle with Aluminum Foot Pedal*
- D** 304 SS Handle with Stainless Steel Foot Pedal*
- E** 316 SS Handle with 316 Stainless Steel Foot Pedal*

Drench Hose and Backflow Prevention

- A** Drench Hose Kit with Vacuum Breaker
- B** Drench Hose Kit with N9 Backflow Preventer
- C** Drench Hose Kit with 9D Backflow Preventer
- D** Drench Hose Kit without Backflow Preventer
- O** No Drench Hose and No Backflow Prevention

Freeze and Scald Protection

- N** Anti-Freeze Valve
- P** Anti-Scald Valve
- R** Anti-Freeze and Anti-Scald Valves
- O** No Anti-Freeze Valve and No Anti-Scald Valve

NPT = National Pipe Thread

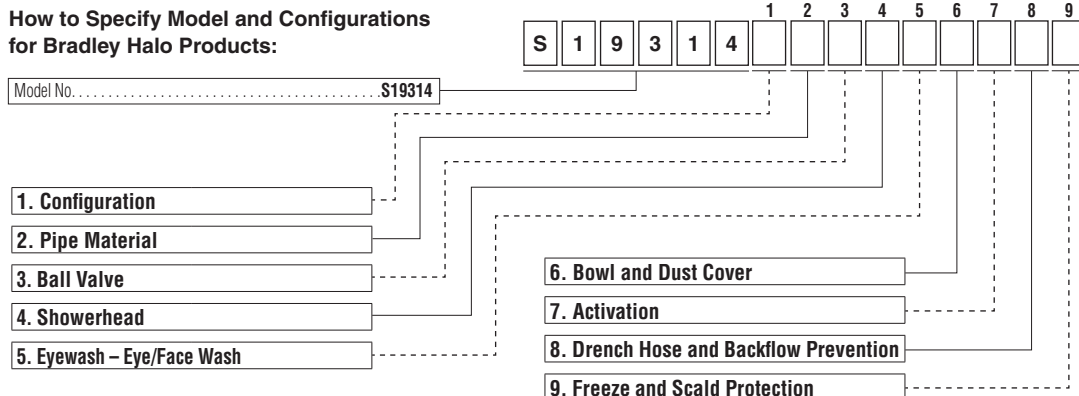
BSP = British Standard Pipe Thread

* Not available with barrier-free configurations.

** Self-closing valves are not ANSI Z358.1 compliant.

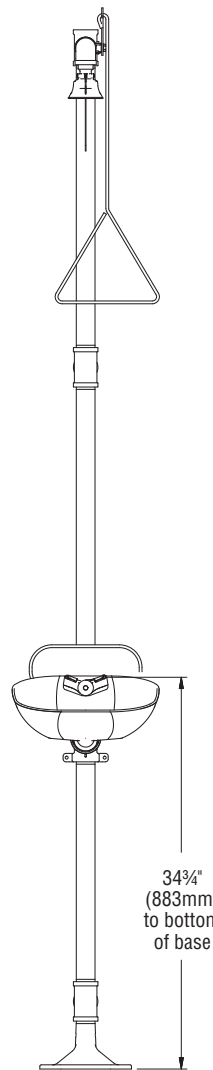
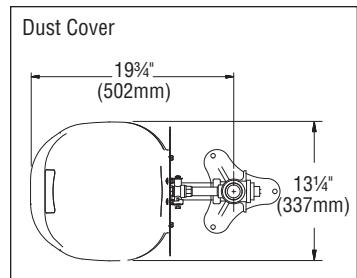
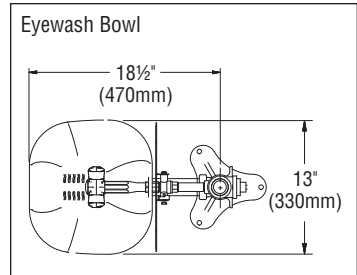
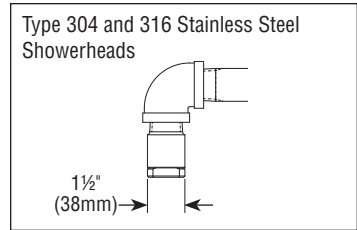
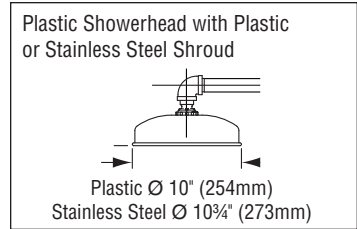
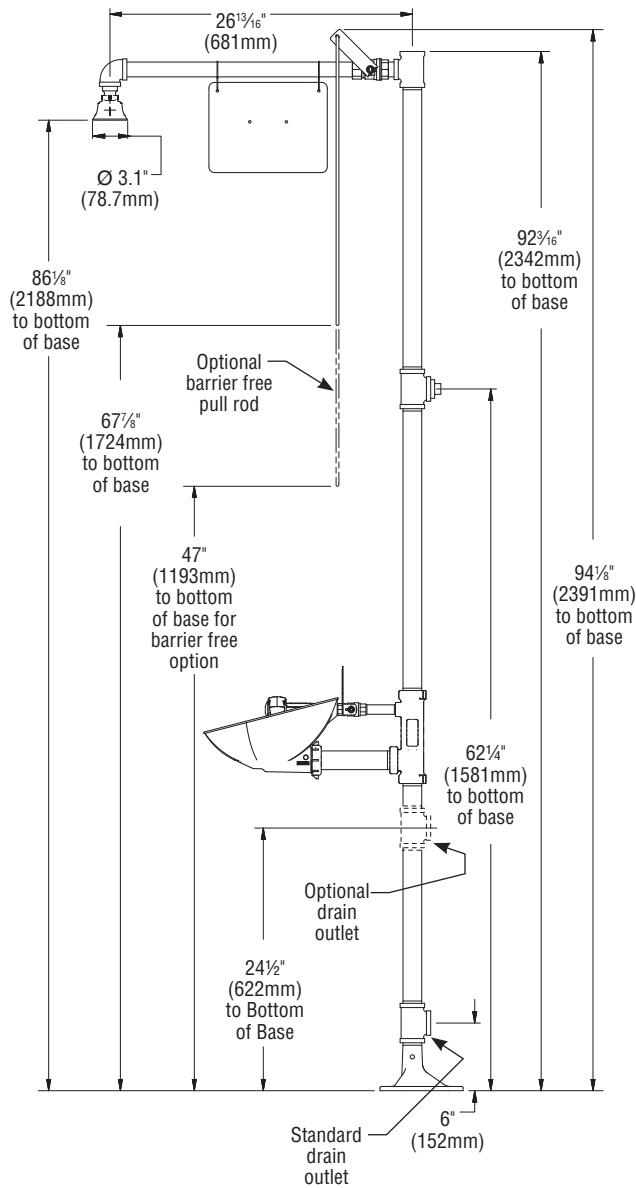
‡ Not available in the U.S.

How to Specify Model and Configurations for Bradley Halo Products:



Dimensions

S19314 shown with Plastic Bowl and Plastic Showerhead



✓ All dimensions assume standard thread engagement. Variations in manufacturing allow for +/- 1/16" (3mm) per threaded joint. To find the tolerance of a dimension, add the number of thread joints across the length of the dimension and multiply it by 1/16" (3mm).

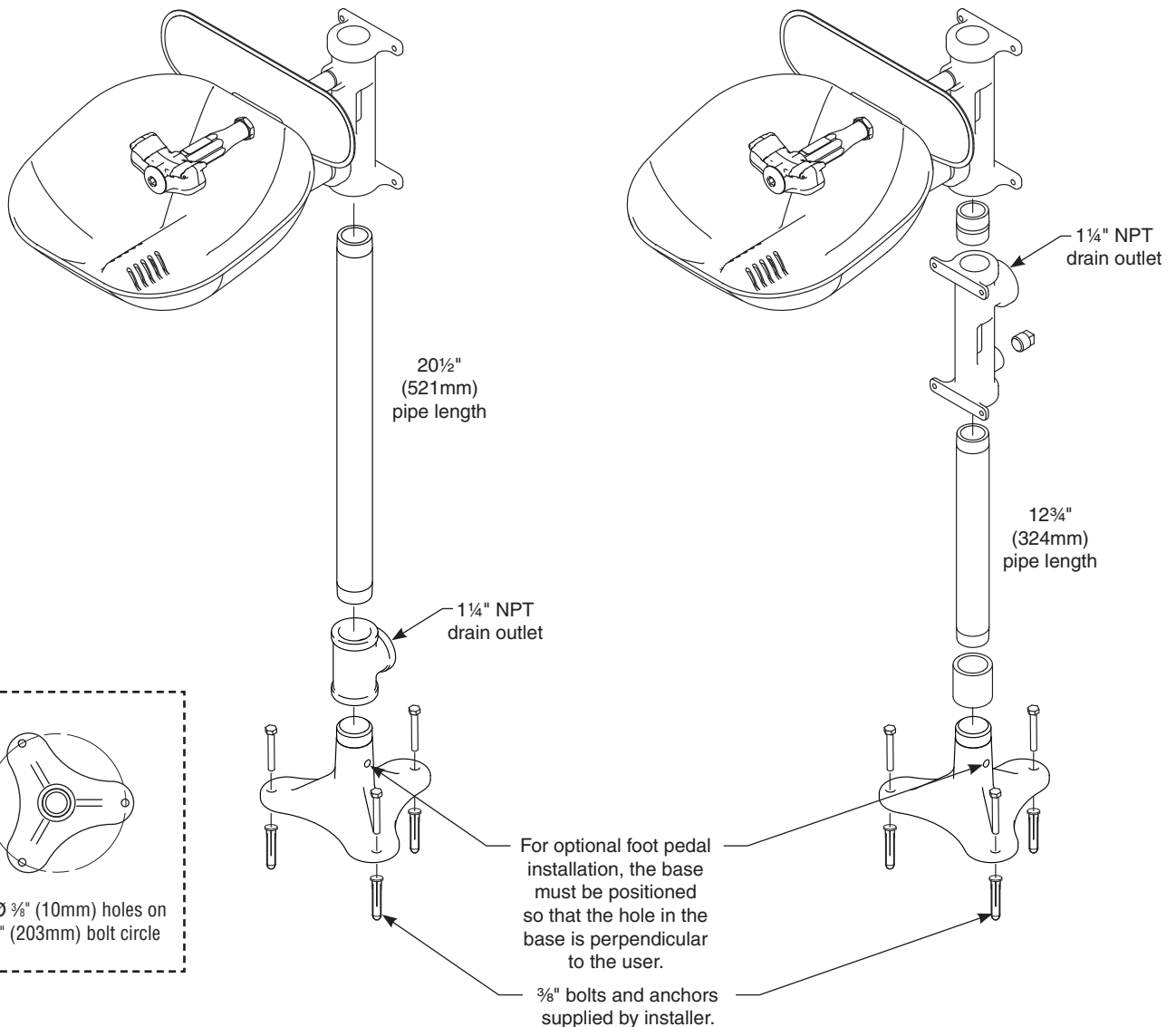
Water Flow Rate	
Showerhead	20–26 gpm
Eyewash	4–5¼ gpm
Eye/Face Wash	4–5¼ gpm
Body Wash	2–8 gpm

1 Assembly — Connect Base and Eyewash

- ✓ Standard eyewash unit is shown. Other units are similar.
- ✓ Connect components before securing the base to the floor. When connecting components, use the rubber grip pad (provided) around pipes to prevent marring.
- ✓ Apply pipe sealant (supplied by installer) to all male-threaded pipe joints, making sure not to get any excess over the edge of the pipes.

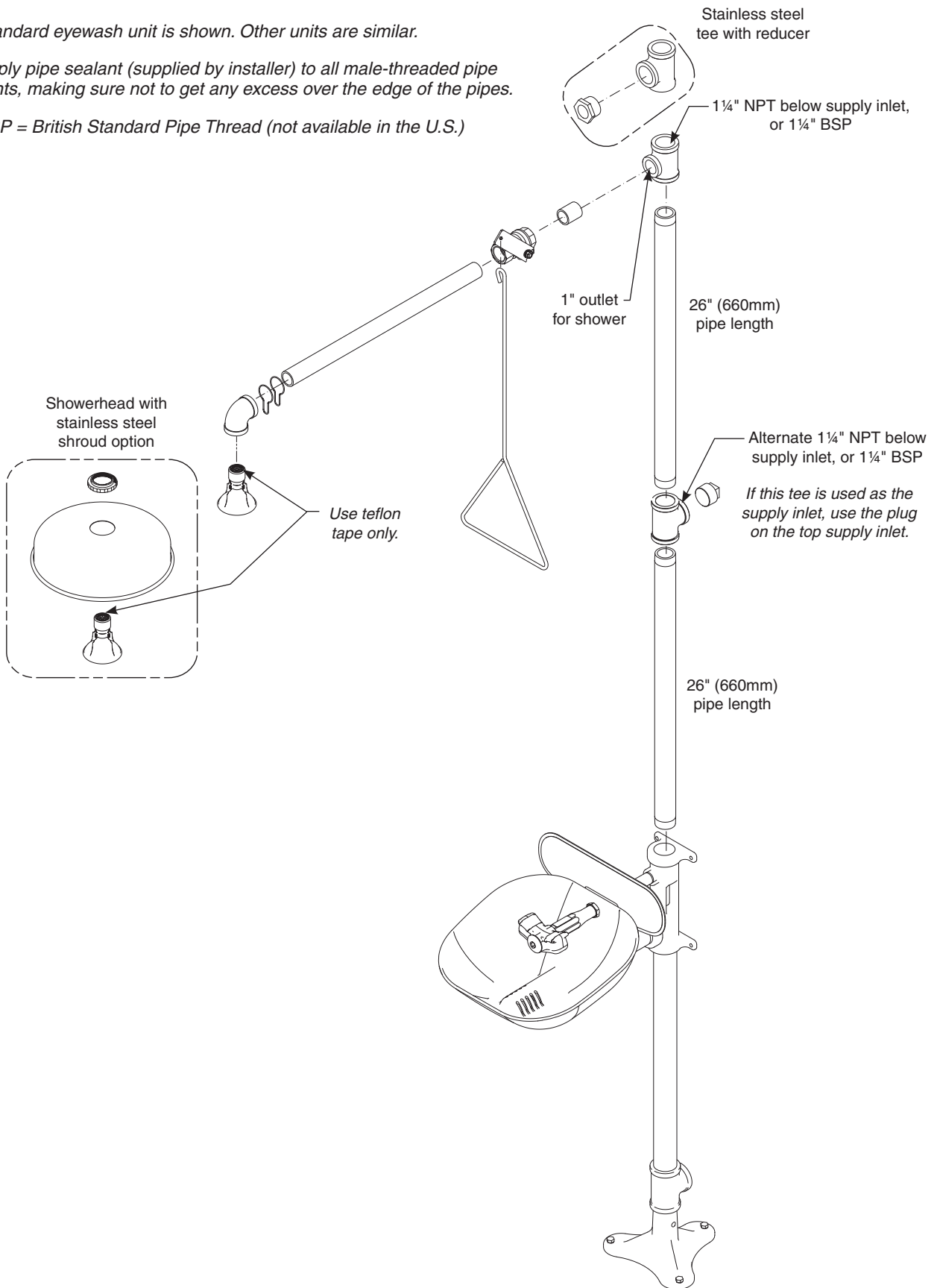
Halo unit with standard drain option

Halo unit with 24" drain option

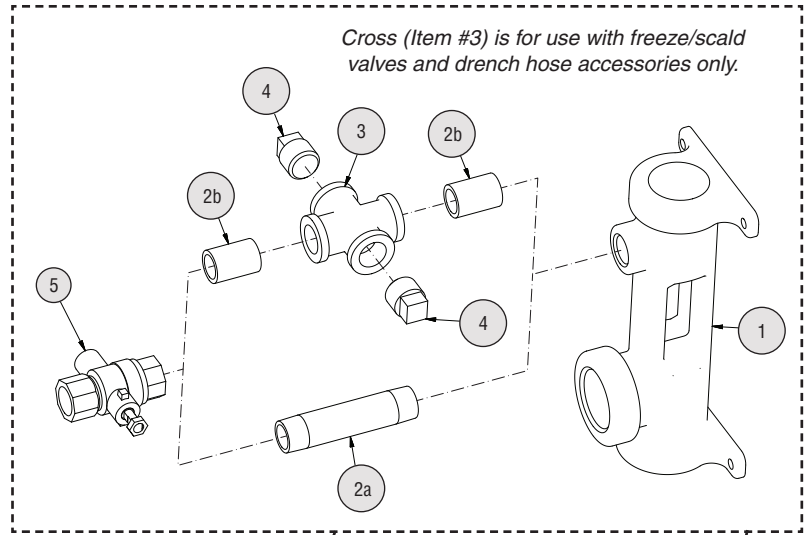


2 Assembly — Connect Drench Shower Components

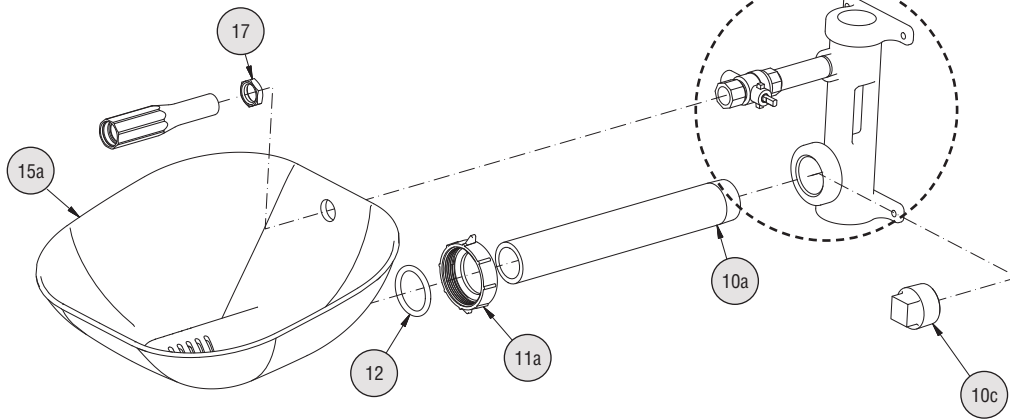
- ✓ *Standard eyewash unit is shown. Other units are similar.*
- ✓ *Apply pipe sealant (supplied by installer) to all male-threaded pipe joints, making sure not to get any excess over the edge of the pipes.*
- ✓ *BSP = British Standard Pipe Thread (not available in the U.S.)*



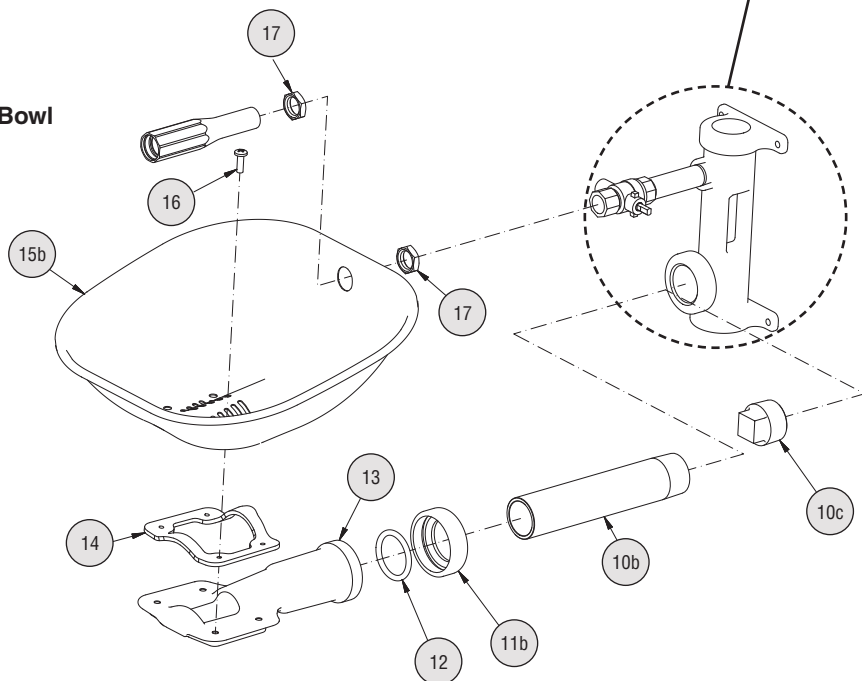
Service Parts — Bowl and Hub



Hub with Plastic Bowl

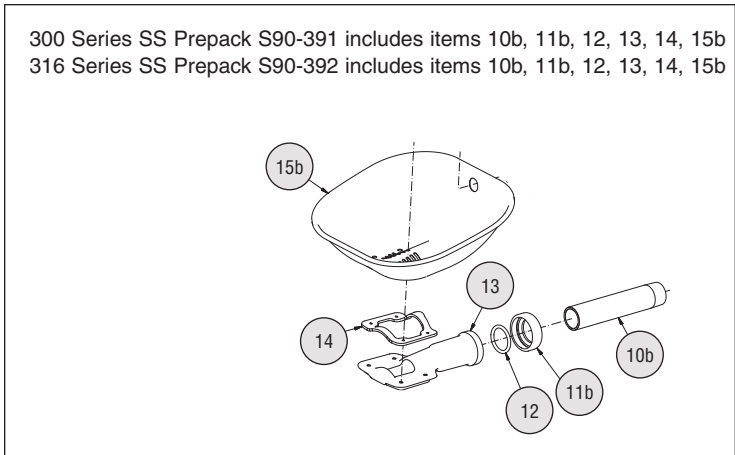
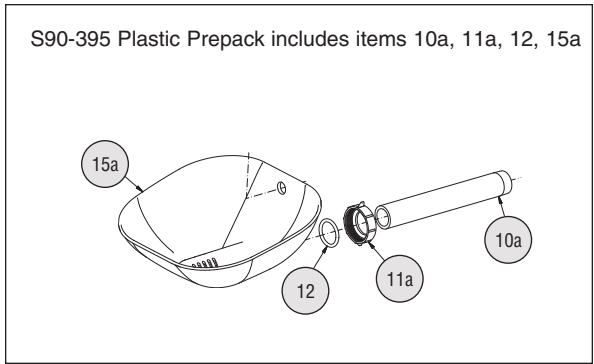


Hub with Stainless Steel Bowl

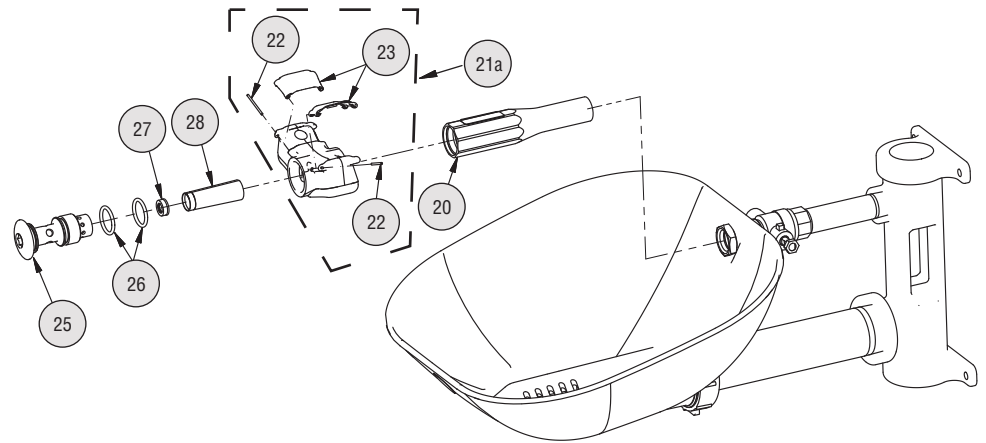


Service Parts List — Bowl and Hub

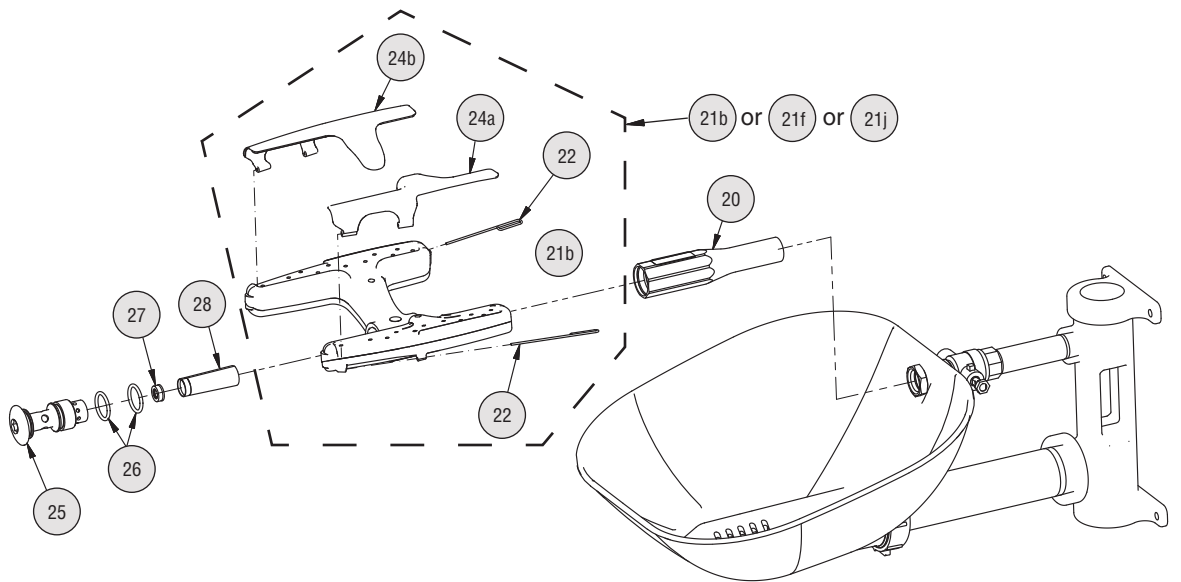
Item	Part No.	Qty	Description	Item	Part No.	Qty	Description
1	111-092	1	Hub	10a	113-1202	1	Pipe 1¼" x 11" thd. one end
1	111-093	1	Hub stainless steel	10a	113-1203	1	Pipe 1¼" x 11" thd. one end stn. steel
1	111-095	1	Hub stainless steel 316	10b	113-1204	1	Pipe 1¼" x 7" thd. one end
1	111-094	1	Hub stainless steel polish	10b	113-1205	1	Pipe 1¼" x 7" thd. one end stainless steel
2a	113-006LQ	1	Pipe ½" x 3½"	10b	113-1206	1	Pipe 1¼" x 7" thd. one end chrome
2a	113-965	1	Pipe ½" x 3½" stainless steel	10b	113-1212	1	Pipe 1¼" x 7" thd. one end stn. steel 316
2a	113-1211	1	Pipe ½" x 3½" stainless steel 316	10c	169-724	1	Plug 1¼" painted galvanized
2a	113-596	1	Pipe ½" x 3½" chrome	10c	269-251	1	Plug 1¼" chrome
2b	113-006LG	2	Pipe ½" x close	10c	269-238	1	Plug 1¼" stainless steel
2b	113-867	2	Pipe ½" x close stainless steel	10c	269-1402	1	Plug 1¼" stainless steel 316
2b	113-1210	2	Pipe ½" x close stainless steel 316	11a	110-239	1	Nut plastic, slip joint
2b	113-006aw	2	Pipe ½" x close chrome	11b	110-240	1	Nut, stainless steel slip joint
3	169-1090	1	Cross ½"	11b	110-242	1	Nut, stainless steel 316 slip joint
3	169-1091	1	Cross ½" stainless steel	12	125-176	1	O-ring
3	169-1098	1	Cross ½" stainless steel 316	13	111-099	1	Bowl mount aluminum
3	169-1097	1	Cross ½" chrome	13	111-100	1	Bowl mount aluminum painted
4	300-0393	2	Plug ½" chrome	13	111-101	1	Bowl mount stainless steel
4	153-230	2	Plug ½" stainless steel	13	111-102	1	Bowl mount stainless steel 316
4	153-460	2	Plug ½" stainless steel 316	14	124-082	1	Bowl gasket
5	S27-327	1	Ball valve ½" with nut	15a	187-320	1	Bowl plastic
5	S27-328	1	Ball valve ½" ss 316 with nut	15b	S90-393	1	Bowl stainless steel (includes Item 14)
5	S27-329	1	Ball valve ½" frost proof with nut	15b	S90-394	1	Bowl stn. steel 316 (includes Item 14)
5	S27-330	1	Ball valve ½" ss 316 frost proof with nut	16	160-467	4	Screw
5.1	110-215	1	Nut	17	110-115a	as req'd.	Nut ½" NPSM chrome brass
5.1	110-248	1	Nut stainless steel 316	17	110-238	as req'd.	Nut ½" NPSM stainless steel
				17	110-241	as req'd.	Nut ½" NPSM stainless steel 316



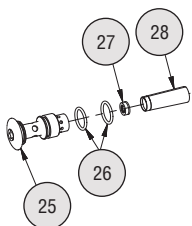
Service Parts — Eyewash



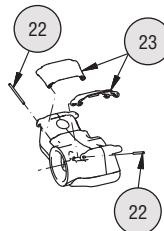
Service Parts — Eye/Face Wash



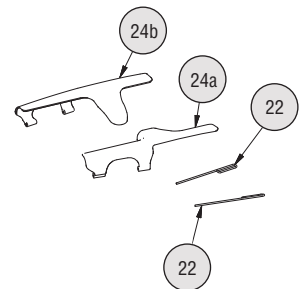
Prepack S65-339 includes items 26, 27, 28
 Prepack S88-068 includes items 25, 26, 27, 28
 Prepack S88-069 includes items 25, 26, 27, 28 (300 series ss)
 Prepack S88-070 includes items 25, 26, 27, 28 (316 ss)



Eyewash Cover Prepack
 S45-2675 includes items
 22 and 23

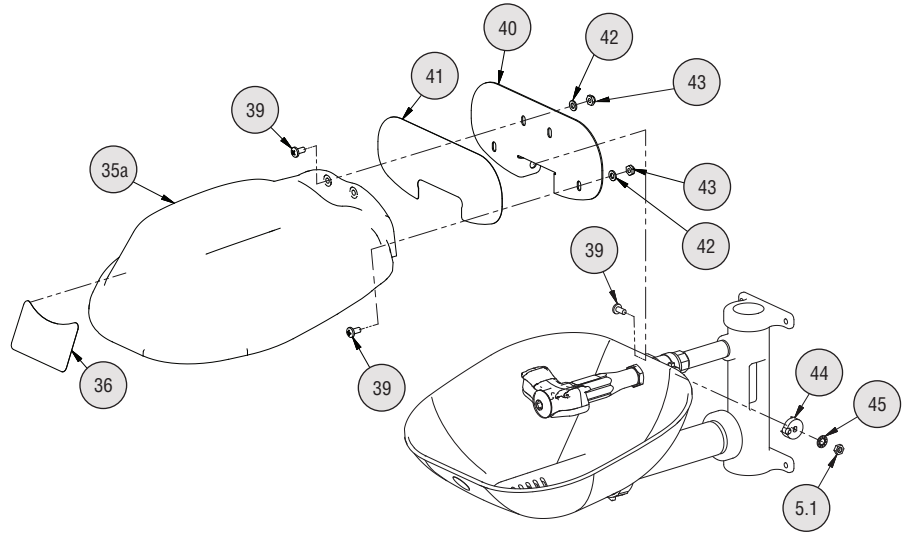
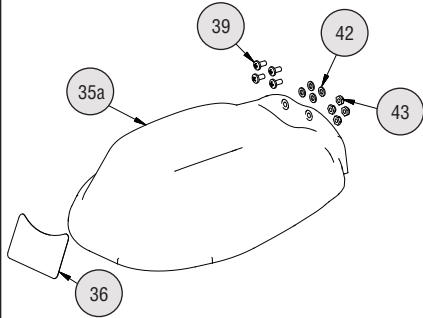


Eye/Face Wash Cover Prepack
 S45-2676 includes items 22,
 24a and 24b



Service Parts — Plastic Bowl Cover

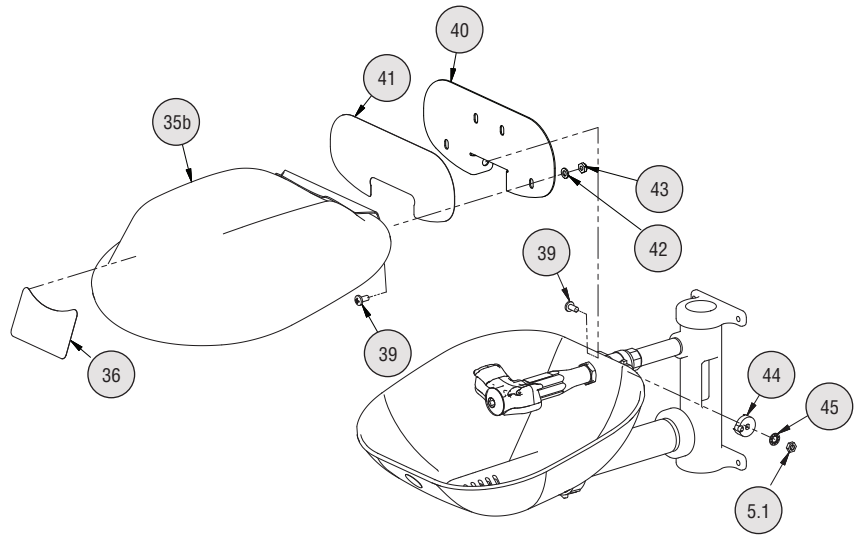
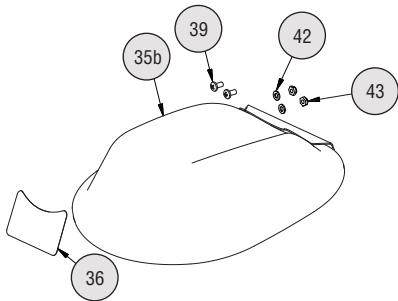
Plastic Bowl Cover Prepack S90-390 includes items 35a, 36, 39, 42, 43



Service Parts — Stainless Steel Bowl Cover

Stainless Steel Bowl Cover Prepack S90-388 includes items 35b, 36, 39, 42, 43

Stainless Steel (316) Bowl Cover Prepack S90-389 includes items 35b, 36, 39, 42, 43



Handle Prepacks include items 39, 40, 41, 44, 45, 5, 5.1

Prepack S08-390 (for units with brass ball valve)

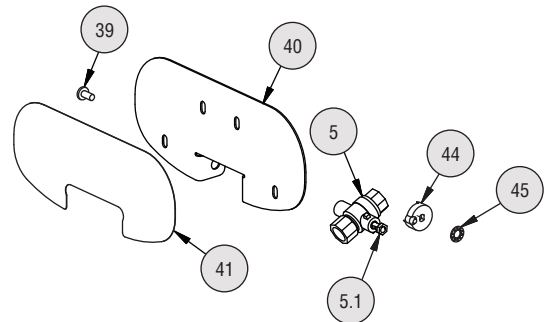
Prepack S08-391 (for units with stainless steel ball valve)

Prepack S08-392 (for units with brass frost-proof ball valve)

Prepack S08-393 (for units with stainless steel frost-proof ball valve)

Prepack S08-394 (for units with 316 stainless steel ball valve and handle)

Prepack S08-395 (for units with 316 stainless steel frost-proof ball valve and handle)



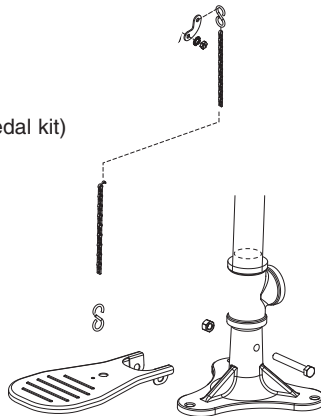
Service Parts List — Eyewash, Eye/Face Wash and Bowl Covers

Item	Part No.	Qty	Description	Item	Part No.	Qty	Description
20	171-001	1	Body	26	125-157	2	O-ring
20	171-002	1	Body stainless steel	27	125-175	1	Flow control
20	171-003	1	Body stainless steel 316	28	S65-340	1	Screen (incl. 3 per pack)
20	171-004	1	Body polished	35a	in service kit	1	Bowl cover plastic
21a	S05-190	1	Sprayhead ass'y. eyewash (includes)	35b	in service kit	1	Bowl cover stainless steel
22	in service kit	2	Pivot pin	35b	in service kit	1	Bowl cover stainless steel 316
23	in service kit	2	Flip cover eyewash	36	114-097	1	Bowl cover decal
21b	S05-192	1	Sprayhead ass'y. eye/face wash (includes)	39	160-389	as req'd.	Screw ¼-20 x ½" stn. steel
22	in service kit	2	Pivot pin	39	160-469	as req'd.	Screw ¼-20 x ½" stn. steel 316
24a	in service kit	1	Flip cover right	40	S08-385	1	Handle ss (incl. items 41, 44, 45, 5.1)
24b	in service kit	1	Flip cover left	40	S08-388	1	Handle ss 316 (incl. items 41, 44, 45, 5.1)
21f	S05-204	1	Sprayhead stainless steel 304 ass'y. eye/face (includes)	41	114-096	1	Decal
22	in service kit	2	Pivot pin	42	142-002AV	as req'd.	Bowl cover washer
24a	in service kit	1	Flip cover right	43	161-060	as req'd.	Nut stainless steel
24b	in service kit	1	Flip cover left	43	161-062	as req'd.	Nut stainless steel 316
21j	S05-205	1	Sprayhead stainless steel 316 ass'y. eye/face (includes)	44	153-372R	1	Adapter ball valve
22	in service kit	2	Pivot pin	44	153-372R316	1	Adapter ball valve stainless steel 316
24a	in service kit	1	Flip cover right	45	142-002DA	1	Lockwasher
24b	in service kit	1	Flip cover left				
25	115-158	1	Cap				
25	115-159	1	Cap stainless steel				
25	115-164	1	Cap stainless steel 316				
25	115-165	1	Cap polished				

Service Parts and Parts List — Base and Drain

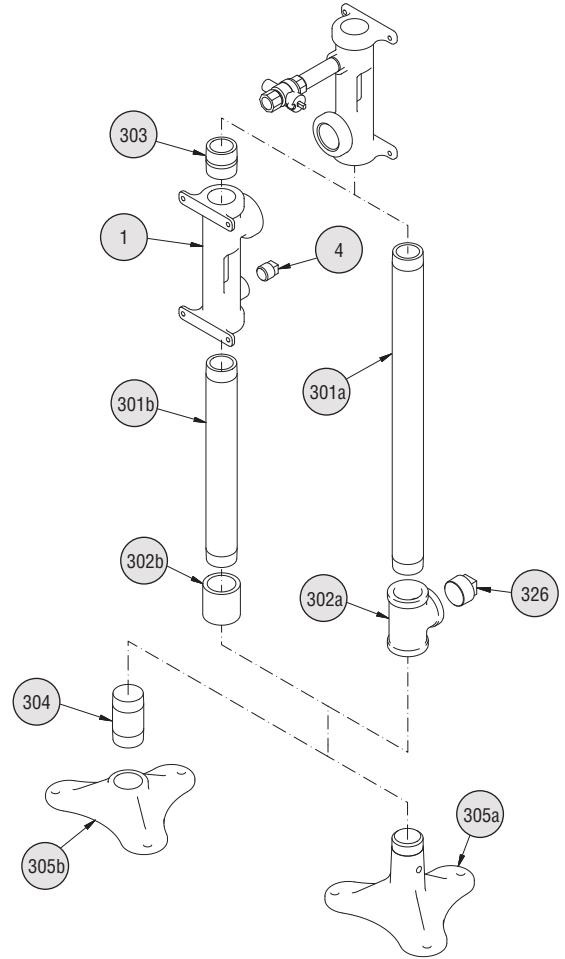
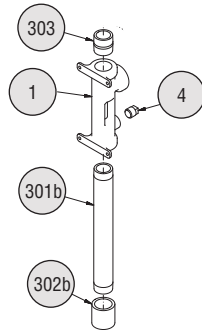
Foot Pedal kits

- S45-572 (standard foot pedal kit)
- S45-1314SS (stainless steel foot pedal kit)
- S45-1314SS16 (316 stainless steel foot pedal kit)



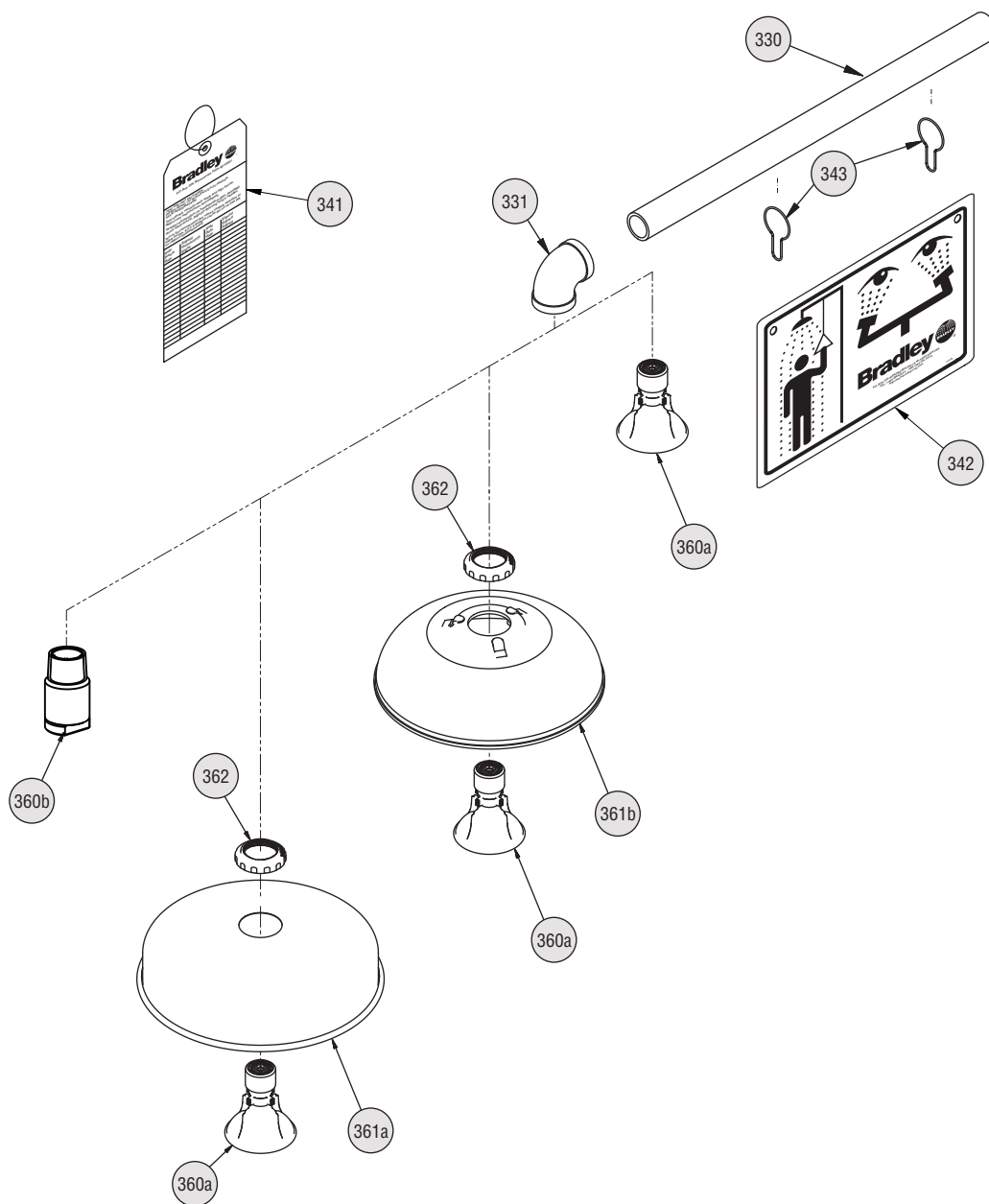
Base and Drain Kits for 24" Drains include items 1, 4, 301b, 302b, 303

- S29-098 (standard)
- S29-099 (stainless steel)
- S29-100 (316 stainless steel)
- S29-101 (chrome)



Item	Part No.	Qty.	Description	Item	Part No.	Qty.	Description
1	111-092	1	Hub	302a	269-253	1	Tee 1¼" chrome
1	111-093	1	Hub stainless steel	302b	169-853	1	Coupling 1¼" galvanized
1	111-095	1	Hub stainless steel 316	302b	269-257	1	Coupling 1¼" chrome
1	111-094	1	Hub stainless steel polish	302b	269-1048	1	Coupling 1¼" stainless steel
4	300-0393	2	Plug ½" chrome	302b	269-2016	1	Coupling 1¼" stainless steel 316
4	153-230	2	Plug ½" stainless steel	303	113-006NA	1	Pipe 1¼" x close painted galvanized
4	153-460	2	Plug ½" stainless steel 316	303	113-865	1	Pipe 1¼" x close stainless steel
301a	113-1197	1	Pipe 1¼" x 20½"	303	113-1223	1	Pipe 1¼" x close stainless steel 316
301a	113-1198	1	Pipe 1¼" x 20½" chrome	304	S06-189	1	Plug chrome solid
301a	113-541	1	Pipe 1¼" x 20½" stainless steel	305a	131-059	1	Base painted
301a	113-1213	1	Pipe 1¼" x 20½" stainless steel 316	305a	131-062	1	Base stainless steel
301b	113-1217	1	Pipe 1¼" x 12¾"	305a	131-079	1	Base stainless steel 316
301b	113-1218	1	Pipe 1¼" x 12¾" chrome	305b	131-044	1	Base chrome
301b	113-1219	1	Pipe 1¼" x 12¾" stainless steel	326	169-724	1	Plug 1¼" painted galvanized
301b	113-1220	1	Pipe 1¼" x 12¾" stainless steel 316	326	269-251	1	Plug 1¼" chrome
302a	169-727	1	Tee 1¼" painted galvanized	326	269-238	1	Plug 1¼" stainless steel
302a	269-237	1	Tee 1¼" stainless steel	326	269-1402	1	Plug 1¼" stainless steel 316
302a	269-1398	1	Tee 1¼" stainless steel 316				

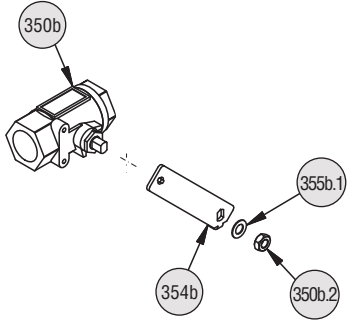
Service Parts — Drench Shower



Service Parts — Drench Shower

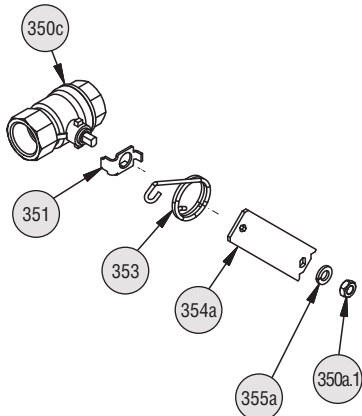
Stainless Steel Valve Prepacks include items 350b, 354b, 355b

- S30-061 (for stainless steel valve)
- S30-081 (for 316 stainless steel valve)
- S30-104 (for frost-proof stainless steel valve)



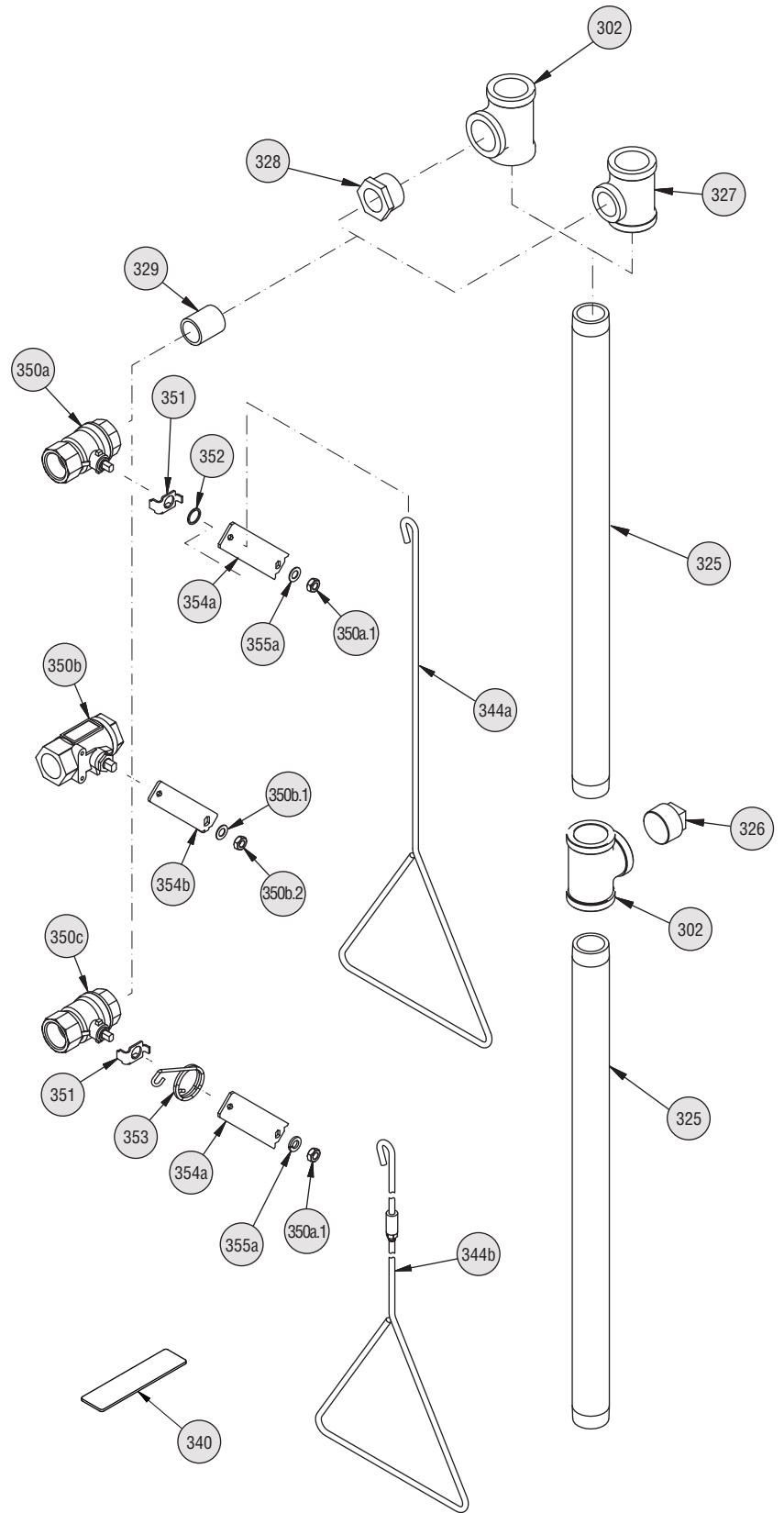
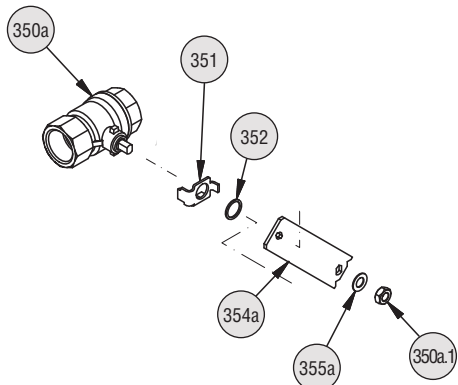
Self-Closing Valve Prepacks

- S19-0011 (for standard brass valve)
 - S30-107 (for frost-proof brass valve)
- includes items 350c, 351, 353, 354a, 355a



Brass Valve Prepacks include items 350a, 351, 353, 354a, 355a

- S30-059 (for standard brass valve)
- S30-103 (for frost-proof brass valve)

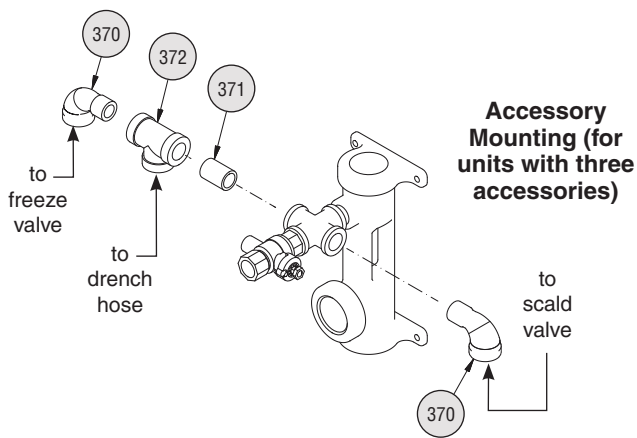
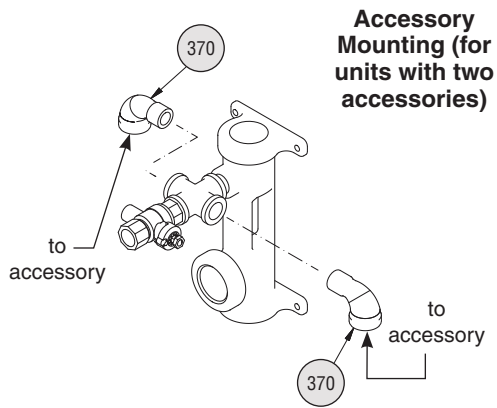


Parts List — Showerhead and Shower Valves

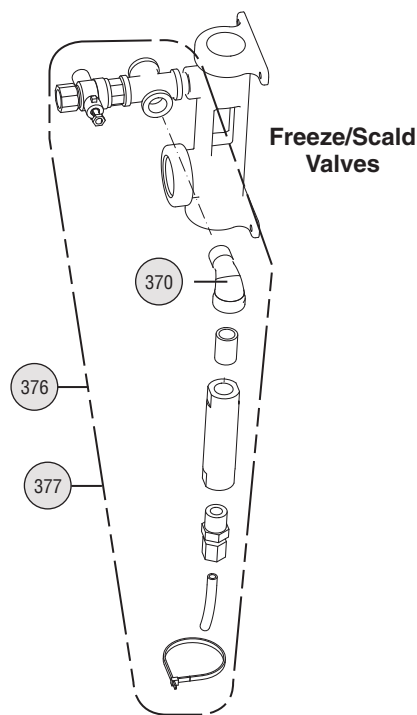
 **BSP = British Standard Pipe Thread (not available in the U.S.)**

Item	Part No.	Qty	Description	Item	Part No.	Qty	Description
302	169-727	1	Tee 1¼" painted galvanized	340	269-915	1	Rubber Grip Pad
302	169-727B	1	Tee 1¼" painted galvanized BSP	341	204-421	1	Emergency Inspection Tag
302	269-237	2	Tee 1¼" stainless steel	342	114-052	1	Safety Sign
302	269-1398	2	Tee 1¼" stainless steel 316	342	114-052E	1	Safety Sign (not available in the U.S.)
302	269-253	1	Tee 1¼" chrome	343	151-001	2	Curtain Hook for Safety Sign
325	113-1199	2	Pipe 1¼" x 26"	344a	128-156A	1	Pull Rod
325	113-1195	2	Pipe 1¼" x 26" stainless steel 316	344b	S90-365D	1	Pull Rod ADA
325	113-1200	2	Pipe 1¼" x 26" stainless steel	344a	128-157	1	Pull Rod stainless steel 316
325	113-1201	2	Pipe 1¼" x 26" chrome	350a	S27-278	1	Ball valve 1"
326	169-724	1	Plug 1¼" painted galvanized	350a	S27-301	1	Ball valve 1" frost proof
326	269-251	1	Plug 1¼" chrome	350a.1	110-214	1	Nut
326	269-238	1	Plug 1¼" stainless steel	350b	S27-276	1	Ball valve 1" stainless steel
326	269-1402	1	Plug 1¼" stainless steel 316	350b	S27-325	1	Ball valve 1" stainless steel frost proof
327	169-722	1	Tee 1¼" x 1" x 1¼"	350b.1	142-002BC	1	Lockwasher
327	169-722B	1	Tee 1¼" x 1" x 1¼" BSP	350b.2	161-079	1	Nut
327	269-249	1	Tee 1¼" x 1" x 1¼" chrome	350c	S27-286	1	Ball valve 1" self-closing
328	269-1400	1	Reducer 1¼" x 1" stainless steel 316	351	140-720	1	Bracket stop ball
328	269-236	1	Reducer 1¼" x 1" stainless steel	352	124-048	1	Washer flat
329	113-006LN	1	Pipe 1" x close painted galvanized	353	S19-001	1	Spring
329	113-1214	1	Pipe 1" x close stainless steel 316	354a	128-129	1	Handle
329	113-006NL	1	Pipe 1" x close stainless steel	354b	128-142	1	Handle stainless steel
329	113-625	1	Pipe 1" x close chrome	354b	128-155	1	Handle stainless steel 316
330	113-006MT	1	Pipe 1" x 21" painted galvanized	355a	142-002DC	1	Lockwasher ⅜"
330	113-1215	1	Pipe 1" x 21" stainless steel 316	360a	S24-188	1	Drench shower assembly
330	113-864	1	Pipe 1" x 21" stainless steel	360b	S24-191	1	Drench shower stainless steel
330	113-1216	1	Pipe 1" x 21" chrome	360b	S24-201	1	Drench shower stainless steel 316
331	169-847	1	Elbow 1" painted galvanized	361a	187-053	1	Shroud stainless steel
331	169-1073	1	Elbow 1" chrome	361b	154-058	1	Shroud plastic
331	169-1074	1	Elbow 1" stainless steel	362	154-147	1	Shroud ring
331	169-1075	1	Elbow 1" stainless steel 316				

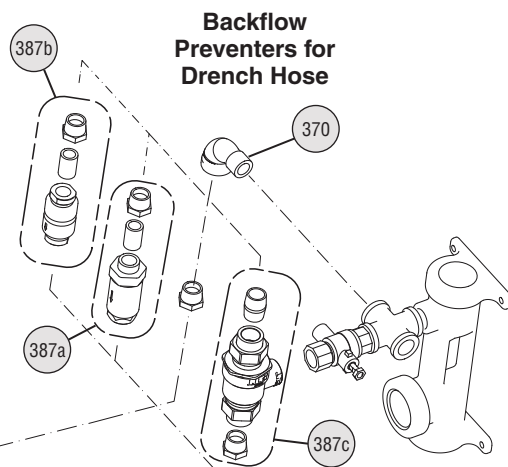
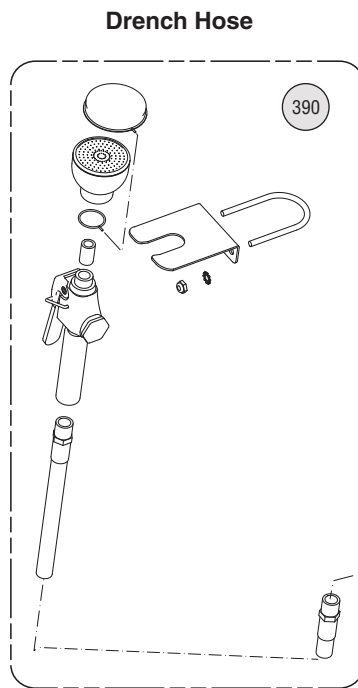
Service Parts and Parts List — Optional Accessories



Item	Part No.	Qty.	Description
370	169-025	as req'd.	Elbow 1/2"
370	269-241	as req'd.	Elbow 1/2" stainless steel
370	269-1396	as req'd.	Elbow 1/2" stainless steel 316
370	169-862	as req'd.	Elbow 1/2" chrome
371	113-006LG	1	Pipe 1/2" x close
371	113-867	1	Pipe 1/2" x close stainless steel
371	113-1210	1	Pipe 1/2" x close stainless steel 316
371	113-006AW	1	Pipe 1/2" x close chrome
372	169-838	1	Tee 1/2"
372	169-1100	1	Tee 1/2" stainless steel
372	269-280	1	Tee 1/2" chrome
372	169-1099	1	Tee 1/2" stainless steel 316

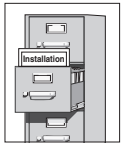


Item	Part No.	Description
376	S45-1986	Freeze Valve kit
377	S45-1989	Scald Valve kit



Item	Part No.	Qty.	Description
387a	S27-303	1	Vacuum breaker in-line 3/8"
387b	S45-2309	1	Backflow preventer N9
387c	S45-2310	1	Backflow preventer 9D
390	S19-430EH	1	Spray Kit

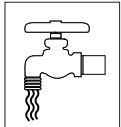
IMPORTANT !



Lire ce manuel d'installation dans son intégralité pour garantir une installation appropriée. Une fois celle-ci terminée, classer ce manuel auprès du service à la clientèle ou d'entretien. L'installateur est responsable de la conformité de l'installation aux codes pour des drain et codes et règlements en vigueur.



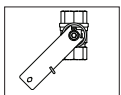
Assurez-vous que toutes les pièces sont incluses dans l'emballage et qu'il n'en manque aucune avant de jeter l'emballage. Ne commencez pas l'assemblage avant de recevoir les pièces manquantes.



Rincez la conduite d'alimentation avant et après l'installation. Assurez-vous que le débit d'eau est adéquat et qu'il n'y a pas de fuites. L'alimentation principale en eau doit être toujours OUVERTE. On devra prévoir des dispositions pour empêcher tout arrêt non autorisé.



La norme ANSI Z358.1 prévoit une alimentation ininterrompue du liquide de rinçage. Les appareils d'urgence Bradley raccordés au réseau nécessitent une pression d'écoulement d'au moins 30 PSI (0,21 MPa). Selon ANSI Z358.1, le liquide de rinçage doit être tiède.



Les soupapes à ressort à fermeture automatique ne sont pas classifiées UL selon ANSI Z358.1.



Inspectez et testez cet équipement une fois par semaine pour en assurer le bon fonctionnement. Notez les dates d'inspection. Ce matériel doit être inspecté une fois par an pour assurer sa conformité à la norme ANSI Z358.1.



Les ouvriers susceptibles d'entrer en contact avec des matières potentiellement dangereuses doivent recevoir une formation sur la mise en place et le bon fonctionnement du matériel d'urgence conformément à la norme ANSI Z358.1.



Pour toute question concernant le fonctionnement ou l'installation de ce produit, consulter le site www.bradleycorp.com ou appeler le 1-800-BRADLEY.

Les garanties de produits figurent sous la rubrique « Informations techniques » sur notre site Internet à www.bradleycorp.com.

Equipements nécessaires :

- (3) ancrages au sol et boulons de 3/8"
- Produit d'étanchéité pour tuyaux
- Tuyau d'alimentation pour branchement au raccord NPT de 1 1/4" d'arrivée (30–90 psi)
- Tuyau de vidange de 1 1/4" NPT (s'il est incluse avec l'unité)
- Supports adéquats pour la tuyauterie d'alimentation
- Un renvoi de 4" minimum pour la douche d'urgence assurant une capacité de vidange de 30 gal/mn (115 l/mn)
- Quincaillerie pour l'installation de l'enseigne (en option)



Les codes locaux peuvent exiger l'installation d'une soupape de prévention d'écoulement de retour pour réaliser une installation appropriée. L'installateur est responsable de la conformité aux codes locaux. La soupape doit être testée une fois par an pour vérifier qu'elle fonctionne correctement. Les soupapes de prévention d'écoulement de retour ne sont pas fournies avec l'appareil et peuvent être fournies par l'entrepreneur ou achetées auprès de Bradley Corporation.

Modèles préconfigurés Halo

Numéro de modèle de Halo	Description
Douche oculaire	
<input type="checkbox"/> S19314EW*	Douche oculaire Halo, tête de douche plastique et récepteur
<input type="checkbox"/> S19314P*	Douche oculaire Halo, pomme de douche et bac en plastique avec tuyau de lavage
<input type="checkbox"/> S19314SB*	Douche oculaire Halo, tête de douche plastique, récepteur acier inox
<input type="checkbox"/> S19314LL*	Douche oculaire Halo, tête de douche plastique, récepteur acier inox, activé à la main/au pied
<input type="checkbox"/> S19314F*	Douche oculaire Halo, tête de douche plastique avec pommeau en acier inox et récepteur
<input type="checkbox"/> S19314UU*	Douche oculaire Halo, tête de douche plastique avec pommeau en acier inox et récepteur, douche oculaire à commande à la main/au pied
Douche oculaire avec couvercle anti-poussières	
<input type="checkbox"/> S19314PDC*	Douche oculaire Halo, tête de douche plastique et récepteur avec couvercle anti-poussières
<input type="checkbox"/> S19314DC*	Douche oculaire Halo, tête de douche plastique, récepteur acier inox et cache-poussière à charnières
Douche oculaire/ faciale	
<input type="checkbox"/> S19314FW*	Douche oculaire/ faciale Halo, tête de douche plastique et récepteur
<input type="checkbox"/> S19314SBFW*	Douche oculaire/ faciale Halo, tête de douche plastique, récepteur acier inox
<input type="checkbox"/> S19314AC*	Douche oculaire/ faciale Halo, tête de douche plastique, récepteur acier inox, douche oculaire à commande à la main/au pied
<input type="checkbox"/> S19314TT*	Douche oculaire/ faciale Halo, tête de douche plastique avec pommeau en acier inox et récepteur
<input type="checkbox"/> S19314SPR*	Douche oculaire/ faciale Halo, Tête de douche acier inox et récepteur, douche oculaire à commande à la main/au pied
<input type="checkbox"/> S19314BFPB*	Douche oculaire/ faciale Halo, sans barrière, tête de douche plastique et récepteur
<input type="checkbox"/> S19314BF*	Douche oculaire/ faciale Halo, sans barrière, tête de douche plastique, récepteur acier inox
Douche oculaire/ faciale avec couvercle anti-poussières	
<input type="checkbox"/> S19314PDCFW*	Douche oculaire/ faciale Halo, tête de douche plastique et récepteur avec couvercle anti-poussières
<input type="checkbox"/> S19314DCFW*	Douche oculaire/ faciale Halo, tête de douche plastique, récepteur acier inox et cache-poussière à charnières
<input type="checkbox"/> S19314DCBF*	Douche oculaire/ faciale Halo, sans barrière, tête de douche plastique, récepteur acier inox avec couvercle anti-poussières
Douche oculaire/ faciale sans douche oculaire récepteur	
<input type="checkbox"/> S19314GG*	Douche oculaire/ faciale Halo, tête de douche plastique, pas de récepteur
Douche oculaire- faciale tout inox	
<input type="checkbox"/> S19314BFSS	Douche oculaire/ faciale en acier inoxydable Halo et tête de douche, sans barrière
<input type="checkbox"/> S19314FSS	Douche oculaire/ faciale en acier inoxydable Halo et tête de douche
<input type="checkbox"/> S19314SC	Douche oculaire/ faciale en acier inoxydable Halo, récepteur, couvercle et tête de douche
<input type="checkbox"/> S19314SS	Douche oculaire/ faciale en acier inoxydable Halo et pomme de douche avec activation au pied
<input type="checkbox"/> S19314SS16	Douche oculaire/ faciale en acier inoxydable 316 Halo et tête de douche avec activation au pied

* Modèles européens disponibles. Pour le numéro de modèle européen, ajouter un Z à la fin du numéro existant. Par exemple, S19314EW devient S19314EWZ.

Configuration du produit

Sélections standard (devez sélectionner un de chaque catégorie)	
Configuration	
<input type="checkbox"/> A	Sans barrière
<input type="checkbox"/> B	Hauteur de vidange 24"
<input type="checkbox"/> C	Hauteur de vidange 24" sans barrière
<input type="checkbox"/> O	Hauteur de vidange standard 6"
Tuyau	
<input type="checkbox"/> A	Acier inox NPT galvanisé avec jaune BradTect®
<input type="checkbox"/> B	Acier inox 304 NPT
<input type="checkbox"/> C	Acier inox 316 NPT*
<input type="checkbox"/> D	Laiton chromé NPT
<input type="checkbox"/> F	BSP, Acier inox galvanisé avec jaune BradTect®‡
<input type="checkbox"/> G	BSP, Acier inox 304‡
<input type="checkbox"/> J	BSP, Laiton chromé‡
Robinet	
<input type="checkbox"/> 1	Restant ouvert (douche d'urgence et douche oculaire), laiton chromé
<input type="checkbox"/> 2	Restant ouvert (douche d'urgence et douche oculaire), 316 SS
<input type="checkbox"/> 3	Fermeture automatique (douche d'urgence) et restant ouvert (douche oculaire), laiton chromé**
Tête de douche	
<input type="checkbox"/> A	Tête de douche plastique
<input type="checkbox"/> B	Tête de douche plastique avec pommeau en plastique
<input type="checkbox"/> C	Tête de douche plastique avec pommeau en acier inox
<input type="checkbox"/> D	Tête de douche acier inox 304 haute performance
<input type="checkbox"/> E	Tête de douche acier inox 316 haute performance
Douche oculaire – faciale	
<input type="checkbox"/> A	Douche oculaire Halo
<input type="checkbox"/> B	Douche oculaire/faciale Halo
<input type="checkbox"/> D	Douche oculaire Halo, guidon acier inox 304
<input type="checkbox"/> E	Douche oculaire/faciale Halo, guidon acier inox 304
<input type="checkbox"/> F	Douche oculaire/faciale inox 304 Halo, guidon acier inox 304
<input type="checkbox"/> G	Douche oculaire Halo, guidon acier inox 316
<input type="checkbox"/> H	Douche oculaire/faciale Halo, guidon acier inox 316
<input type="checkbox"/> J	Douche oculaire/faciale inox 316 Halo, guidon acier inox 316

Récepteur avec couvercle anti-poussières	
<input type="checkbox"/> A	Récepteur plastique, sans couvercle anti-poussières
<input type="checkbox"/> B	Récepteur plastique, couvercle anti-poussières plastique
<input type="checkbox"/> D	Récepteur acier inox 304, sans couvercle anti-poussières
<input type="checkbox"/> E	Récepteur acier inox 304, couvercle anti-poussières acier inox 304
<input type="checkbox"/> F	Récepteur acier inox 304, couvercle anti-poussières plastique
<input type="checkbox"/> G	Récepteur acier inox 316, sans couvercle anti-poussières
<input type="checkbox"/> H	Récepteur acier inox 316, couvercle anti-poussières acier inox 316
<input type="checkbox"/> J	Récepteur acier inox 316, couvercle anti-poussières plastique
<input type="checkbox"/> O	Pas de récepteur, pas de couvercle anti-poussières
Activation	
<input type="checkbox"/> A	Manette acier inox 304
<input type="checkbox"/> B	Manette acier inox 316
<input type="checkbox"/> C	Manette acier inox 304 avec pédale d'aluminium*
<input type="checkbox"/> D	Manette acier inox 304 avec pédale acier inox*
<input type="checkbox"/> E	Manette acier inox 316 avec pédale acier inox 316*
Gicleur et Prévention d'écoulement de retour	
<input type="checkbox"/> A	Gicleur avec dispositif la prévention des casse-vide
<input type="checkbox"/> B	Gicleur avec dispositif de prévention d'écoulement de retour N9
<input type="checkbox"/> C	Gicleur avec dispositif de prévention d'écoulement de retour 9D
<input type="checkbox"/> D	Gicleur sans prévention d'écoulement de retour
<input type="checkbox"/> O	Pas de gicleur, pas de prévention d'écoulement de retour
<input type="checkbox"/> Z	Connexions pour le gicleur (le gicleur n'est pas inclus)
Vanne antigel et vanne anti-échaudage	
<input type="checkbox"/> N	Vanne antigel
<input type="checkbox"/> P	Vanne anti-échaudage
<input type="checkbox"/> R	Vanne antigel et vanne anti-échaudage
<input type="checkbox"/> O	Pas de vanne antigel, pas de vanne anti-échaudage
<input type="checkbox"/> Z	Connexions pour les vannes (les vannes ne sont pas inclus)

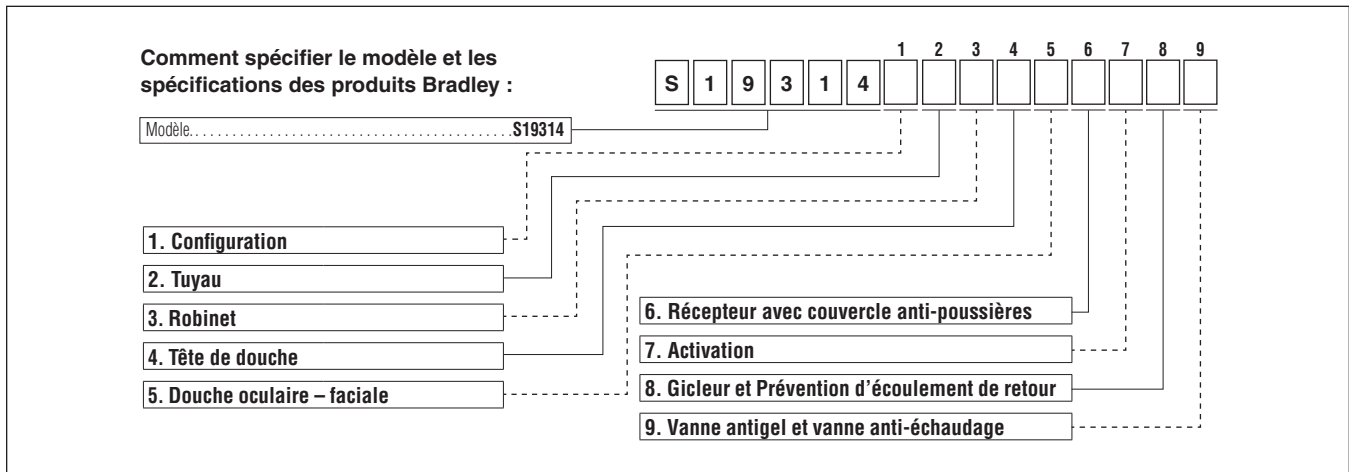
NPT = National Pipe Thread

BSP = filetage British Standard Pipe

* Non disponible avec configurations sans barrière.

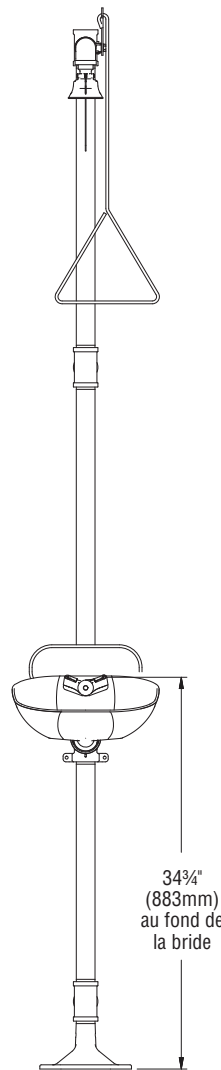
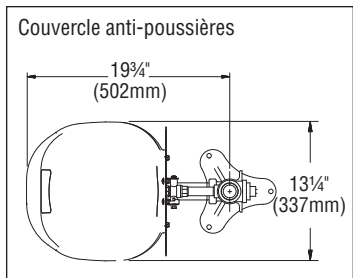
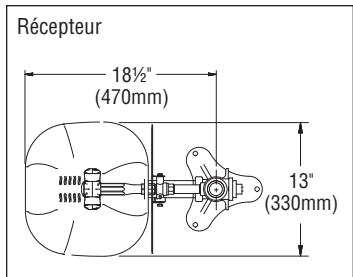
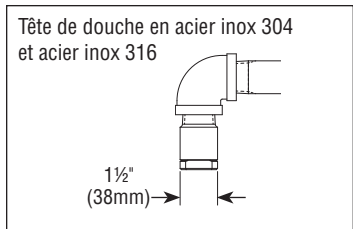
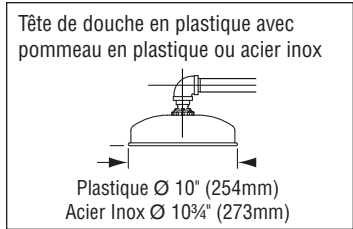
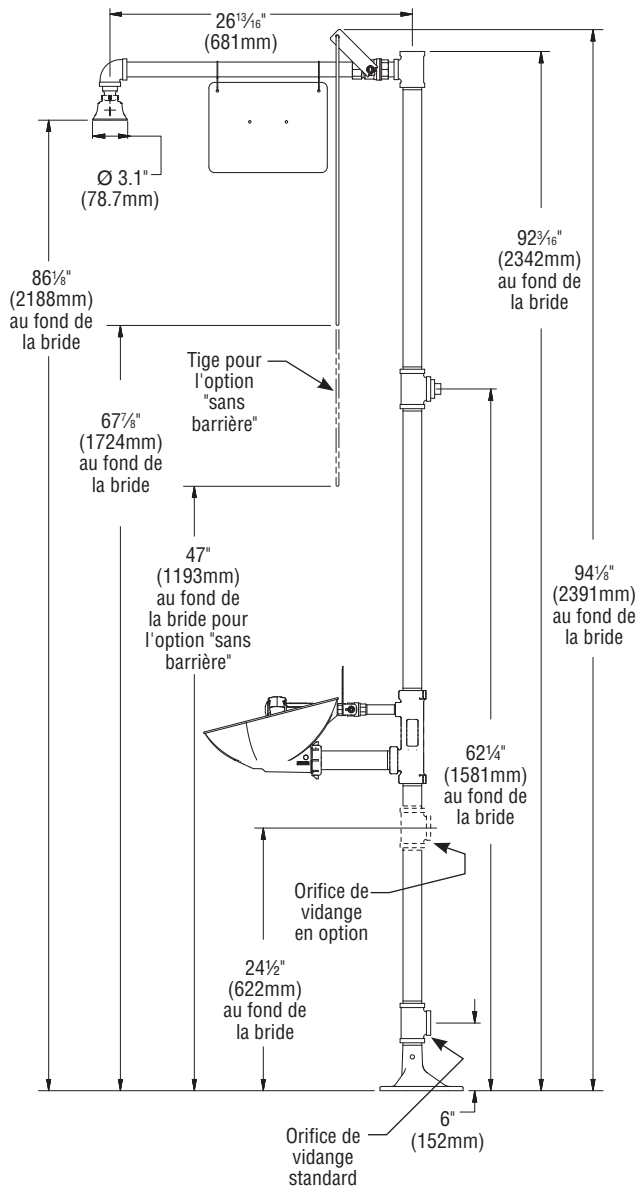
** Les soupapes à ressort à fermeture automatique ne sont pas classifiées UL selon ANSI Z358.1.

‡ Non disponible aux États-Unis



Dimensions

S19314 montré avec récepteur en plastique et tête de douche en plastique



✓ Toutes les dimensions supposent un engagement de filetage standard. Les variations de fabrication prévoient +/- 3,1 mm (1/8") par joint fileté. Pour trouver la tolérance d'une dimension, ajouter le nombre de joints filetés entre une dimension et le multiplier par 3,1 mm (1/8").

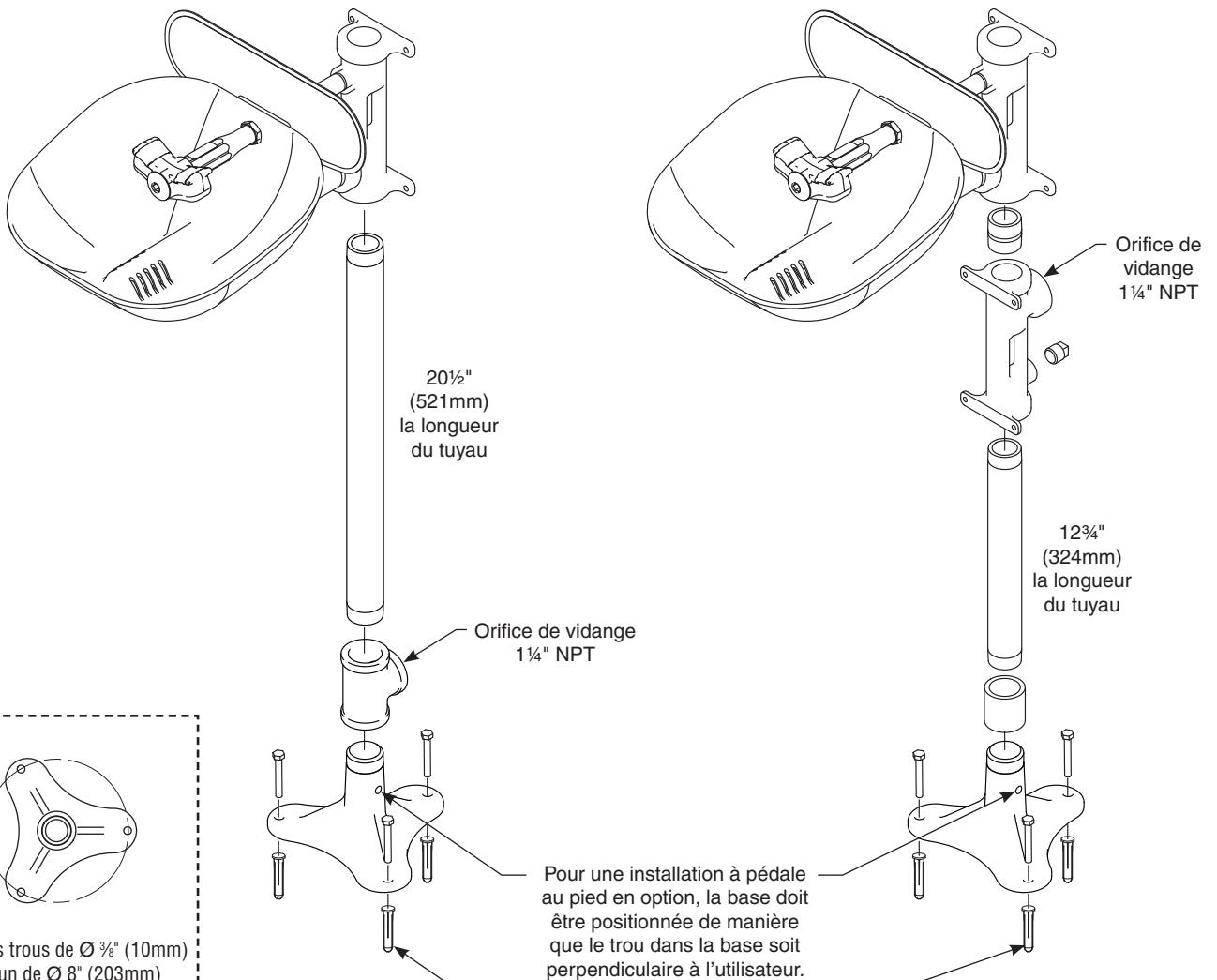
Débit d'eau	
Tête de douche	20–26 gpm
Douche oculaire	4–5 1/4 gpm
Douche oculaire/faciale	4–5 1/4 gpm
Douche pour le corps	2–8 gpm

1 Assemblage — Bride et douche oculaire

- ☑ *Douche oculaire standard illustrée. Les autres unités sont similaires.*
- ☑ *Connectez les composants avant de fixer la base au sol. Utilisez des tampons autour des tuyaux pour ne pas les endommager lors du serrage.*
- ☑ *Mettez du produit d'étanchéité (non fourni) sur tous les filetages mâles. Ne laissez pas le produit d'étanchéité à déborder sur le bord des tuyaux.*

Unité de Halo avec l'option de vidange standard

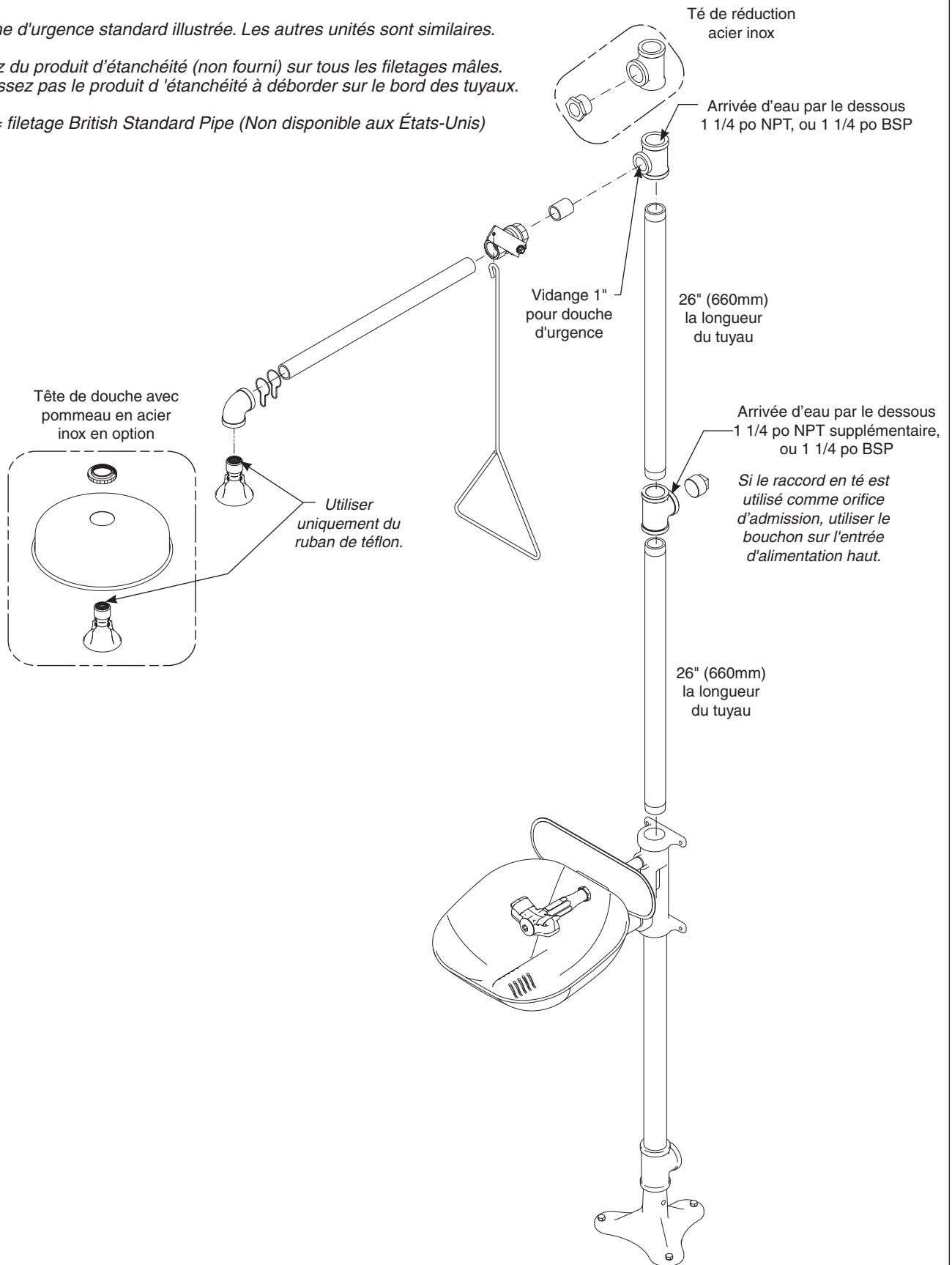
Unité de Halo avec l'option de vidange de 24"



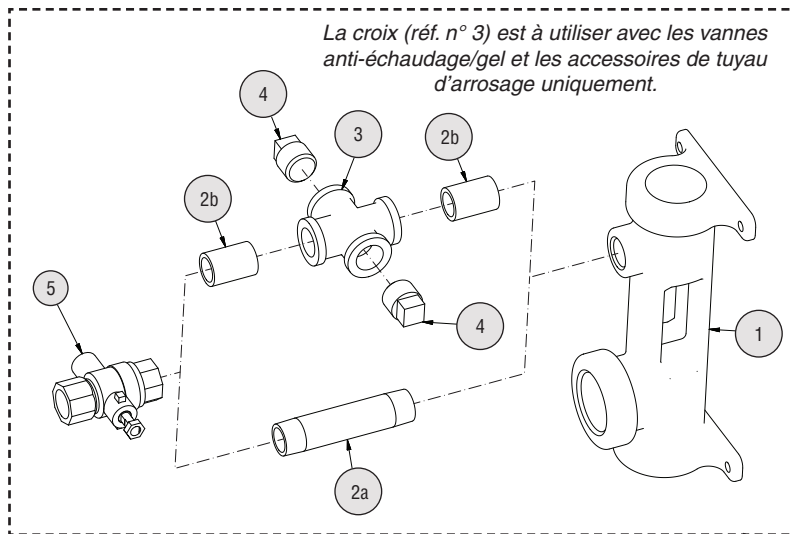
Vissez la bride dans les ancrages à l'aide des vis de 3/8" (non fournies).

2 Assemblage — Raccorder les tuyaux de la douche d'urgence

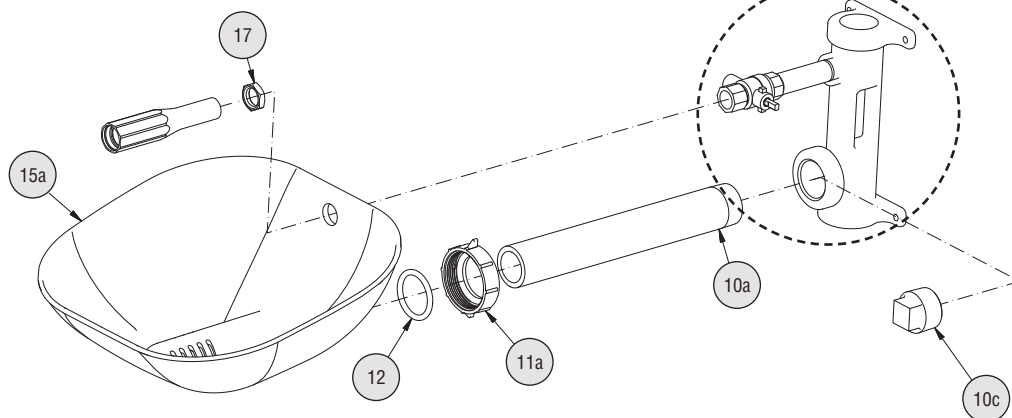
- ☑ Douche d'urgence standard illustrée. Les autres unités sont similaires.
- ☑ Mettez du produit d'étanchéité (non fourni) sur tous les filetages mâles. Ne laissez pas le produit d'étanchéité à déborder sur le bord des tuyaux.
- ☑ BSP = filetage British Standard Pipe (Non disponible aux États-Unis)



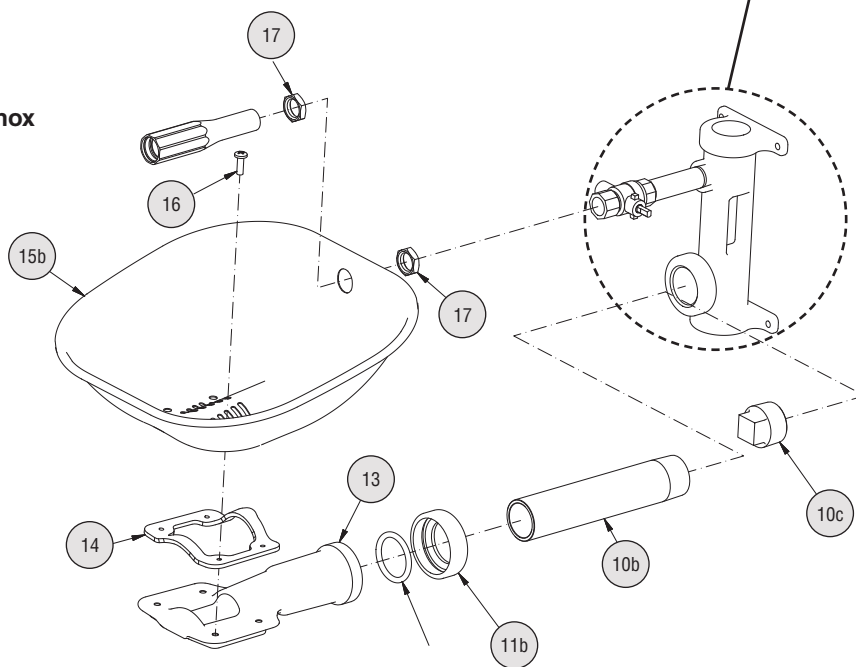
Pièces de remplacement — Récepteur et moyeu



Moyeu avec récepteur en plastique



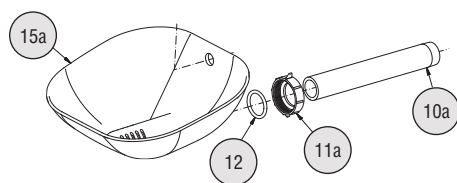
Moyeu avec récepteur en acier inox



Liste des pièces — Récepteur et moyeu

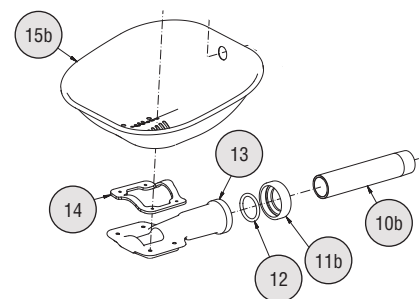
Pièce	Réf.	Qté.	Description	Pièce	Réf.	Qté.	Description
1	111-092	1	Moyeu	10a	113-1202	1	Tuyau 1¼" x 11" extrémité fileté
1	111-093	1	Moyeu acier inox	10a	113-1203	1	Tuyau 1¼" x 11" acier inox extrémité fileté
1	111-095	1	Moyeu acier inox 316	10b	113-1204	1	Tuyau 1¼" x 7" extrémité fileté
1	111-094	1	Moyeu acier inox poli	10b	113-1205	1	Tuyau 1¼" x 7" acier inox extrémité fileté
2a	113-006LQ	1	Tuyau ½" x 3½"	10b	113-1206	1	Tuyau 1¼" x 7" chromé extrémité fileté
2a	113-965	1	Tuyau ½" x 3½" acier inox	10b	113-1212	1	Tuyau 1¼" x 7" acier inox 316 extrémité fileté
2a	113-1211	1	Tuyau ½" x 3½" acier inox 316	10c	169-724	1	Bouchon 1¼" peint galvanisé
2a	113-596	1	Tuyau ½" x 3½" chromé	10c	269-251	1	Bouchon 1¼" chromé
2b	113-006LG	2	Tuyau ½" x ferme	10c	269-238	1	Bouchon 1¼" acier inox
2b	113-867	2	Tuyau ½" x ferme en acier inox	10c	269-1402	1	Bouchon 1¼" acier inox 316
2b	113-1210	2	Tuyau ½" x ferme en acier inox 316	11a	110-239	1	Écrou, plastique
2b	113-006AW	2	Tuyau ½" x ferme chromé	11b	110-240	1	Écrou, acier inox
3	169-1090	1	Croix ½"	11b	110-242	1	Écrou, acier inox 316
3	169-1091	1	Croix ½" acier inox	12	125-176	1	Bague
3	169-1098	1	Croix ½" acier inox 316	13	111-099	1	Support récepteur aluminium
3	169-1097	1	Croix ½" chromé	13	111-100	1	Support récepteur peint aluminium
4	300-0393	2	Bouchon ½" chromé	13	111-101	1	Support récepteur acier inox
4	153-230	2	Bouchon ½" acier inox	13	111-102	1	Support récepteur acier inox 316
4	153-460	2	Bouchon ½" acier inox 316	14	124-082	1	Joint d'étanchéité
5	S27-327	1	Robinet ½" avec écrou	15a	187-320	1	Récepteur plastique
5	S27-328	1	Robinet ½" acier inox 316 avec écrou	15b	S90-393	1	Récepteur acier inox (incl. le élément 14)
5	S27-329	1	Vanne antigel ½" avec écrou	15b	S90-394	1	Récepteur acier inox 316 (incl. le élément 14)
5	S27-330	1	Vanne antigel ½" acier inox 316 avec écrou	16	160-467	4	Vis
5.1	110-215	1	Écrou	17	110-115a		Écrou ½" NPSM laiton chromé (qté. au besoin)
5.1	110-248	1	Écrou acier inox 316	17	110-238		Écrou ½" NPSM acier inox (qté. au besoin)
				17	110-241		Écrou ½" NPSM acier inox 316 (qté. au besoin)

Paquet récepteur plastique S90-395 comprend les éléments 10a, 11a, 12, 15a

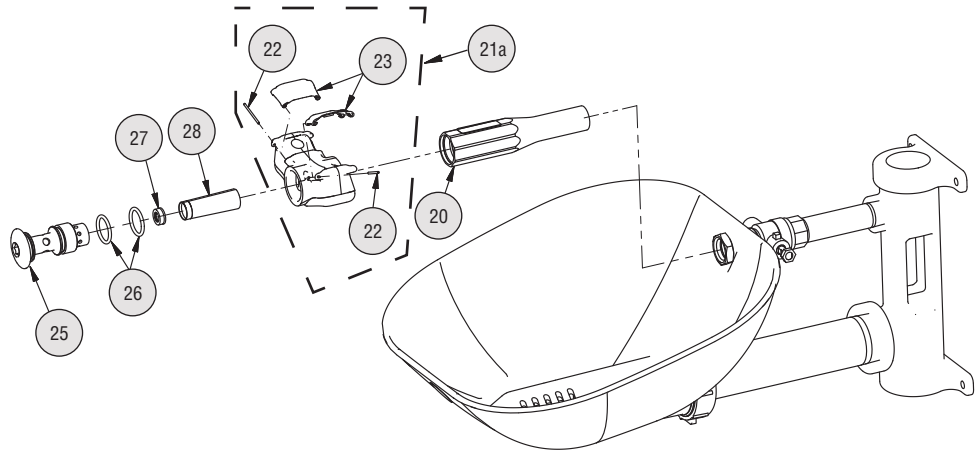


Paquet récepteur acier inox 300 Serie S90-391 comprend les éléments 10b, 11b, 12, 13, 14, 15b

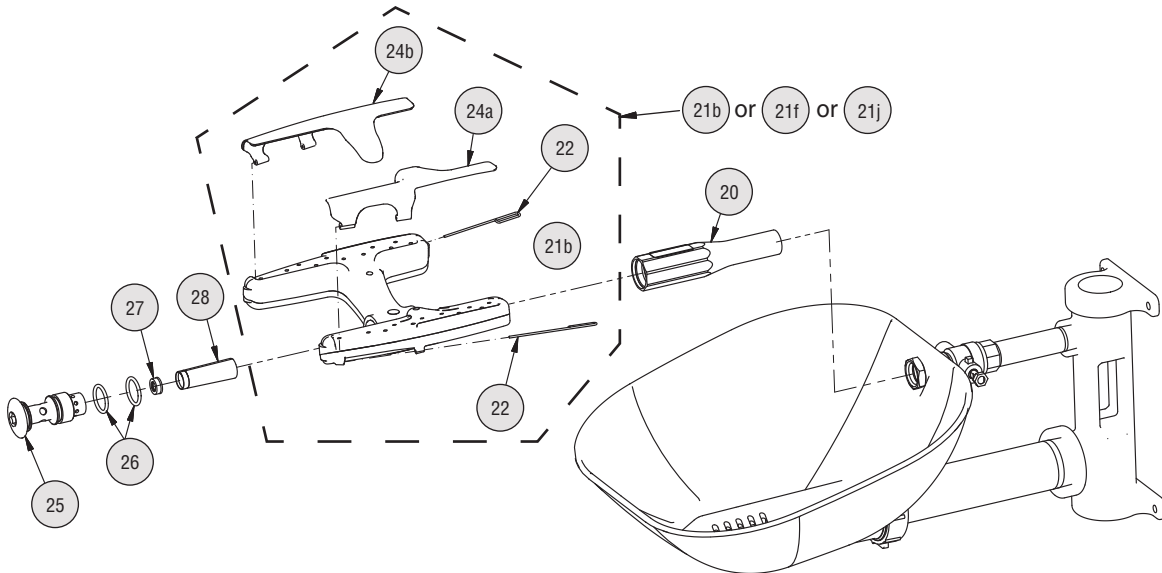
Paquet récepteur acier inox 316 Serie S90-392 comprend les éléments 10b, 11b, 12, 13, 14, 15b



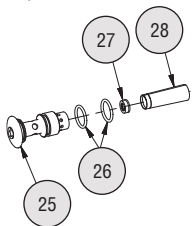
Pièces de remplacement — Douche oculaire



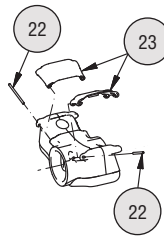
Pièces de remplacement — Douche oculaire/faciale



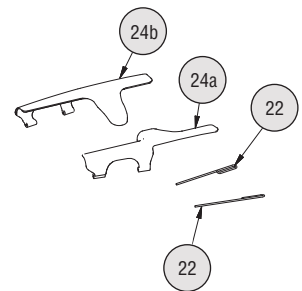
Paquet S65-339 comprend les éléments 26, 27, 28
 Paquet S88-068 comprend les éléments 25, 26, 27, 28
 Paquet S88-069 comprend les éléments 25, 26, 27, 28
 (acier inox 300 serie)
 Paquet S88-070 comprend les éléments 25, 26, 27, 28
 (acier inox 316)



Paquet couvertures à bascule (douche oculaire)
 S45-2675 comprend les éléments 22 et 23

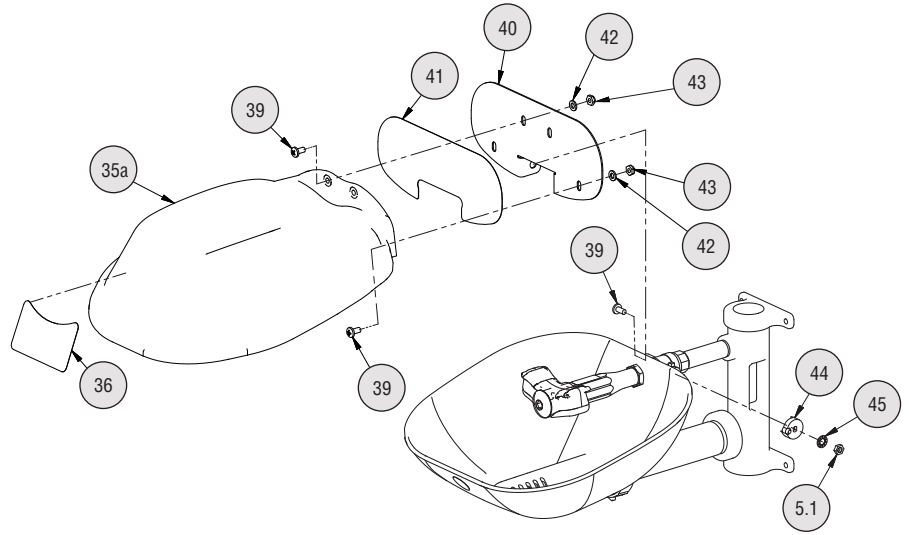
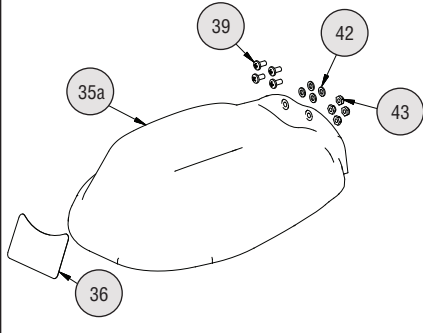


Paquet couvertures à bascule (douche oculaire/ faciale)
 S45-2676 comprend les éléments 22, 24a et 24b



Pièces de remplacement — Couvercle plastique

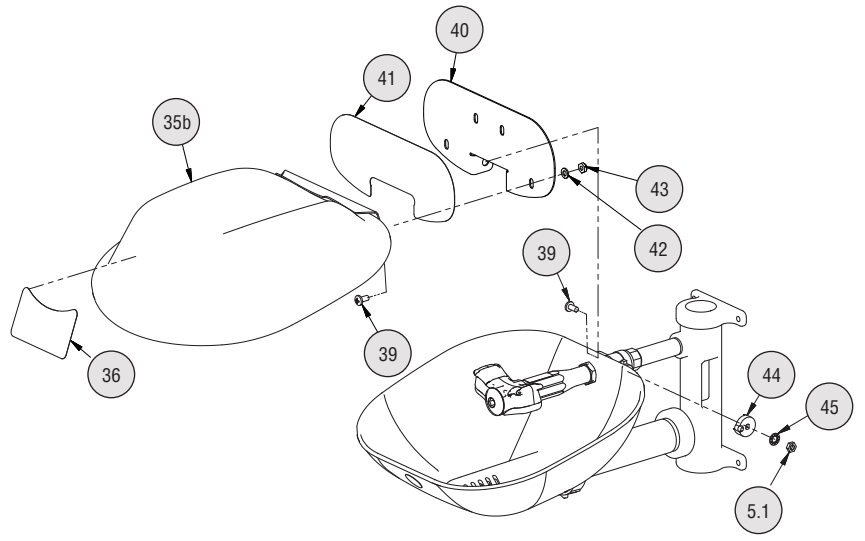
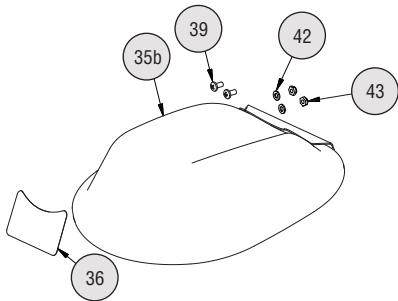
Paquet couvercle plastique S90-390 comprend les éléments 35a, 36, 39, 42, 43



Pièces de remplacement — Couvercle acier inox

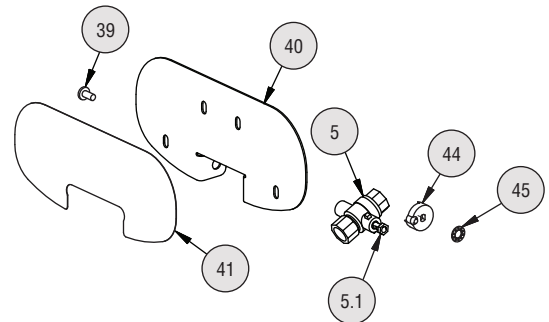
Paquet couvercle acier inox S90-388 comprend les éléments 35b, 36, 39, 42, 43

Paquet couvercle acier inox (316) S90-389 comprend les éléments 35b, 36, 39, 42, 43



Paquets manette comprend les éléments 39, 40, 41, 44, 45, 5, 5.1

- Paquet S08-390 (pour les unités avec robinet laiton)
- Paquet S08-391 (pour les unités avec robinet acier inox)
- Paquet S08-392 (pour les unités avec vanne antigel laiton)
- Paquet S08-393 (pour les unités avec vanne antigel acier inox)
- Paquet S08-394 (pour les unités avec robinet et manette acier inox 316)
- Paquet S08-395 (pour les unités avec vanne antigel et manette acier inox 316)



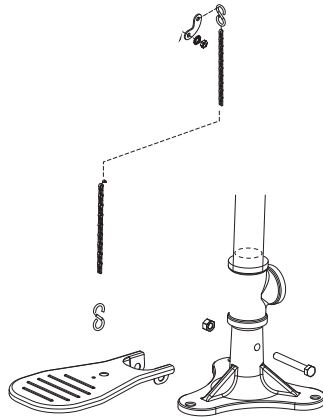
Liste des pièces — Douche oculaire, Douche oculaire/ faciale, et couvercle

Pièce	Réf.	Qté.	Description	Pièce	Réf.	Qté.	Description
20	171-001	1	Corps	26	125-157	2	Bague
20	171-002	1	Corps acier inox	27	125-175	1	Contrôle du débit
20	171-003	1	Corps acier inox 316	28	S65-340	1	Filtrer (paquet de 3)
20	171-004	1	Corps poli	35a	kit de remplacement	1	Couvercle plastique
21a	S05-190	1	Douche oculaire (comprend)	35b	kit de remplacement	1	Couvercle acier inox
22	kit de remplacement	2	Axe de pivotement	35b	kit de remplacement	1	Couvercle acier inox 316
23	kit de remplacement	2	Couverture à bascule	39	160-389	qté. au besoin	Vis ¼-20 x ½" acier inox
21b	S05-192	1	Douche oculaire (comprend)	39	160-469	qté. au besoin	Vis ¼-20 x ½" acier inox 316
22	kit de remplacement	2	Axe de pivotement	40	S08-385	1	Manette acier inox (incl. les éléments 41, 44, 45, 5.1)
24a	kit de remplacement	1	Couverture à bascule droite	40	S08-388	1	Manette acier inox 316 (incl. les éléments 41, 44, 45, 5.1)
24b	kit de remplacement	1	Couverture à bascule gauche	41	114-096	1	Étiquette
21f	S05-204	1	Tête de douche en acier inoxydable 304 oculaire/faciale (comprend)	42	142-002AV	qté. au besoin	Rondelle
22	kit de remplacement	2	Axe de pivotement	43	161-060	qté. au besoin	Écrou acier inox
24a	kit de remplacement	1	Couverture à bascule droite	43	161-062	qté. au besoin	Écrou acier inox 316
24b	kit de remplacement	1	Couverture à bascule gauche	44	153-372R	1	Adaptateur robinet
21j	S05-205	1	Tête de douche en acier inoxydable 316 oculaire/faciale (comprend)	44	153-372R316	1	Adaptateur robinet acier inox 316
22	kit de remplacement	2	Axe de pivotement	45	142-002DA	1	Rondelle de blocage
24a	kit de remplacement	1	Couverture à bascule droite				
24b	kit de remplacement	1	Couverture à bascule gauche				
25	115-158	1	Bouchon				
25	115-159	1	Bouchon acier inox				
25	115-164	1	Bouchon acier inox 316				
25	115-165	1	Bouchon poli				

Pièces de remplacement et Liste des pièces — Bride et Drain

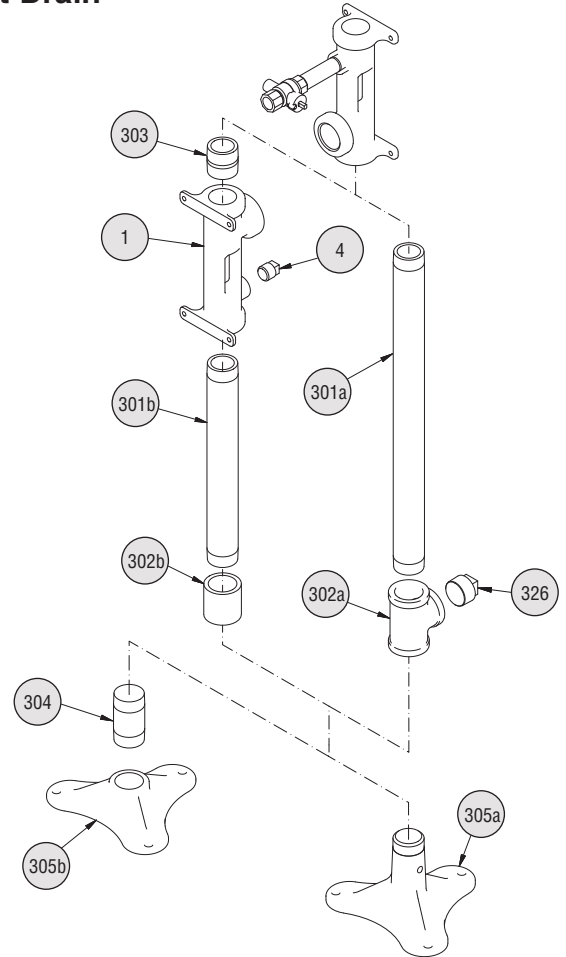
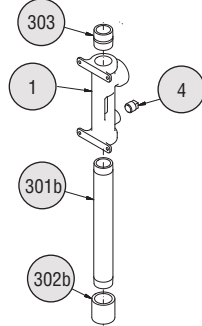
Paquet pédale

- S45-572 (standard)
- S45-1314SS (acier inox)
- S45-1314SS16 (acier inox 316)



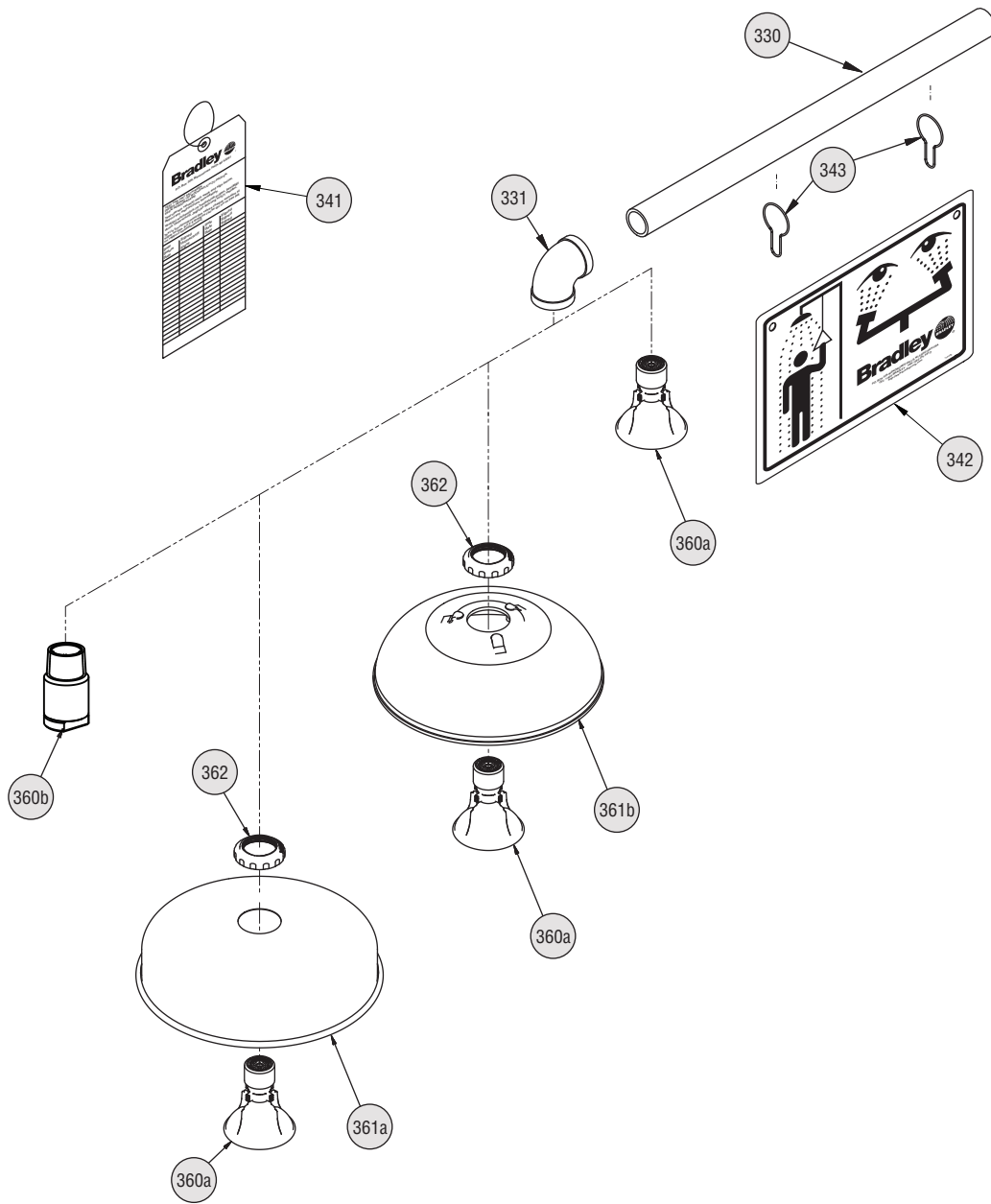
Paquet bride et drain (vidange de 24")
comprend les éléments 1, 4, 301b, 302b, 303

- S29-098 (standard)
- S29-099 (acier inox)
- S29-100 (acier inox 316)
- S29-101 (chromé)



Pièce	Réf.	Qté.	Description	Pièce	Réf.	Qté.	Description
1	111-092	1	Moyeu	302a	269-253	1	Té 1¼" chromé
1	111-093	1	Moyeu acier inox	302b	169-853	1	Couplage 1¼" galvanisé
1	111-095	1	Moyeu acier inox 316	302b	269-257	1	Couplage 1¼" chromé
1	111-094	1	Moyeu acier inox poli	302b	269-1048	1	Couplage 1¼" acier inox
4	300-0393	2	Bouchon ½" chromé	302b	269-2016	1	Couplage 1¼" acier inox 316
4	153-230	2	Bouchon ½" acier inox	303	113-006NA	1	Tuyau 1¼" x étroit peint galvanisé
4	153-460	2	Bouchon ½" acier inox 316	303	113-865	1	Tuyau 1¼" x étroit acier inox
301a	113-1197	1	Tuyau 1¼" x 20½"	303	113-1223	1	Tuyau 1¼" x étroit acier inox 316
301a	113-1198	1	Tuyau 1¼" x 20½" chromé	304	S06-189	1	Bouchon chromé plein
301a	113-541	1	Tuyau 1¼" x 20½" acier inox	305a	131-059	1	Bride peint
301a	113-1213	1	Tuyau 1¼" x 20½" acier inox 316	305a	131-062	1	Bride acier inox
301b	113-1217	1	Tuyau 1¼" x 12¾"	305a	131-079	1	Bride acier inox 316
301b	113-1218	1	Tuyau 1¼" x 12¾" chromé	305b	131-044	1	Bride chromé
301b	113-1219	1	Tuyau 1¼" x 12¾" acier inox	326	169-724	1	Bouchon 1¼" peint galvanisé
301b	113-1220	1	Tuyau 1¼" x 12¾" acier inox 316	326	269-251	1	Bouchon 1¼" chromé
302a	169-727	1	Té 1¼" peint galvanisé	326	269-238	1	Bouchon 1¼" acier inox
302a	269-237	1	Té 1¼" acier inox	326	269-1402	1	Bouchon 1¼" acier inox 316
302a	269-1398	1	Té 1¼" acier inox 316				

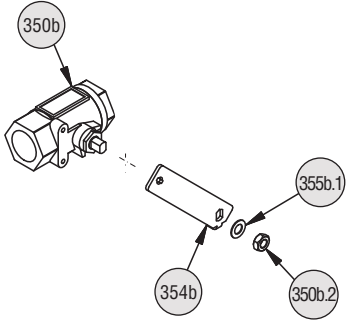
Pièces de remplacement — Douche d'urgence



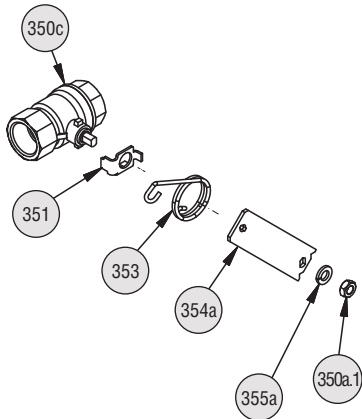
Pièces de remplacement — Douche d'urgence

Paquet acier inox (comprend les éléments 350b, 354b, 355b)

- S30-061 (robinet acier inox)
- S30-081 (robinet acier inox 316)
- S30-104 (vanne antigel acier inox)

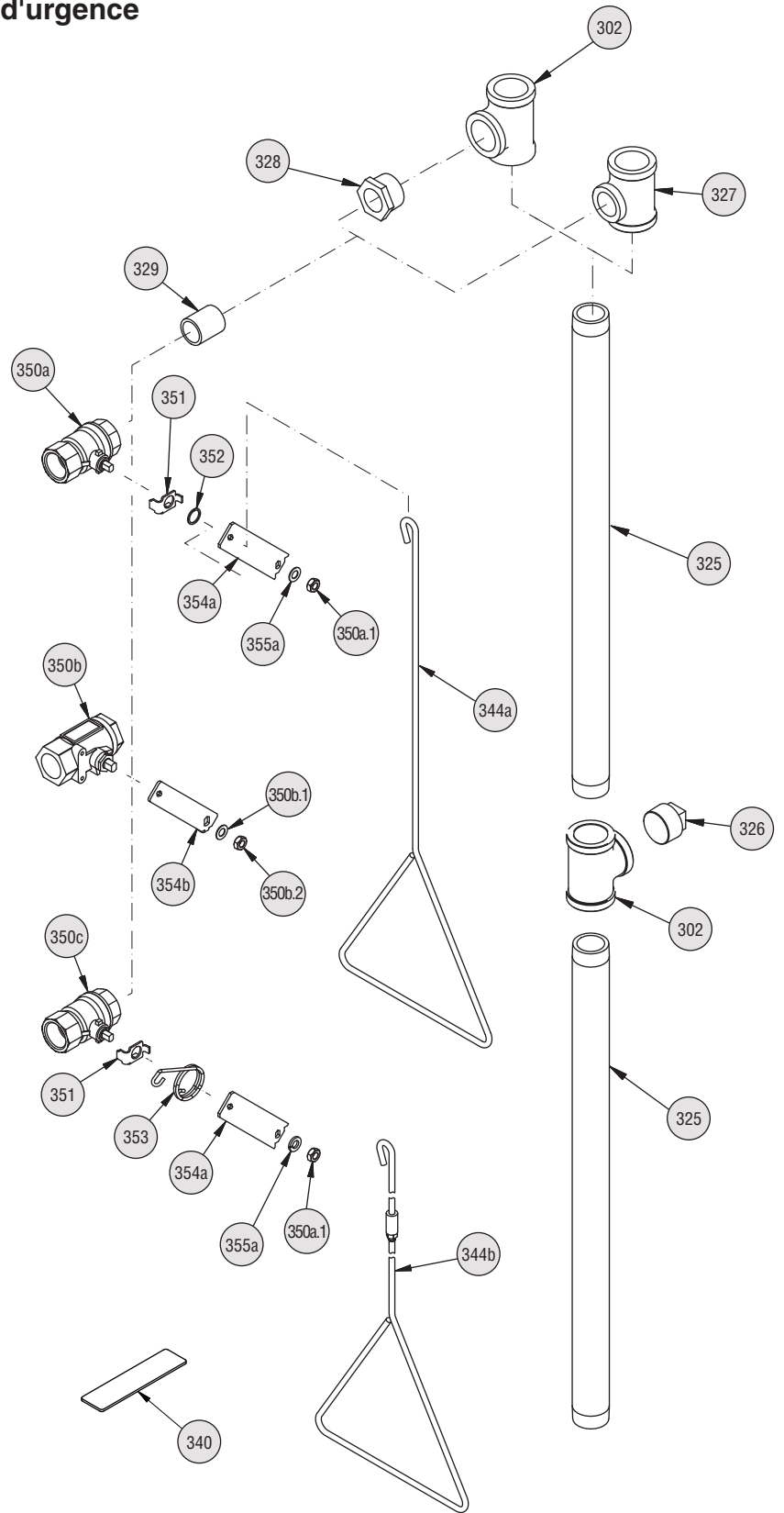
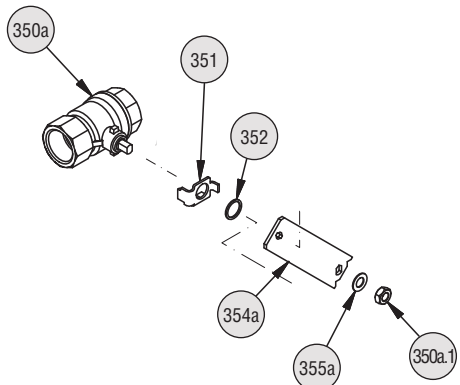


Paquets robinet fermeture automatiques
 S19-0011 (robinet laiton standard)
 S30-107 (vanne antigel laiton)
 comprend les éléments 350c, 351, 353, 354a, 355a



Paquet robinet laiton comprend les éléments 350a, 351, 353, 354a, 355a

- S30-059 (robinet laiton standard)
- S30-103 (vanne antigel laiton)

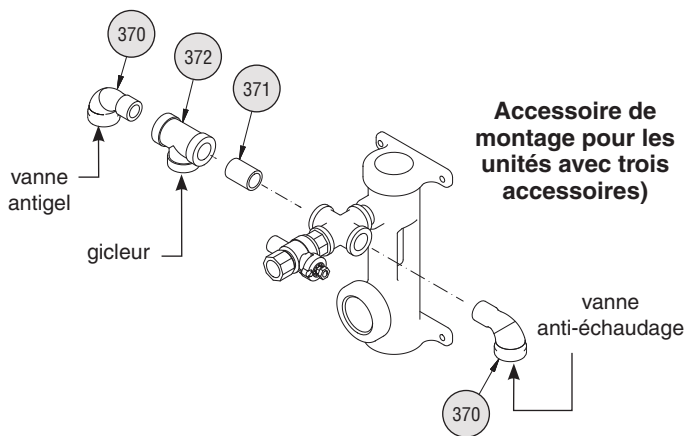
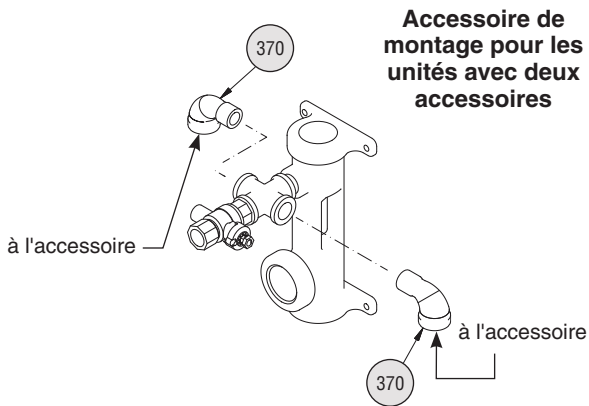


Liste des pièces — Tête de douche et robinet

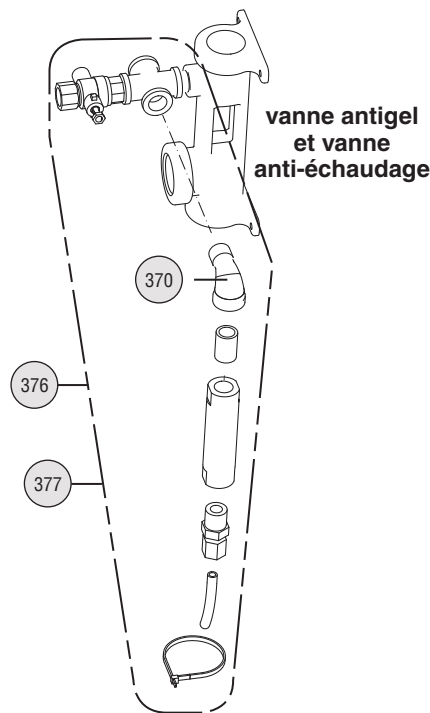
BSP = filetage British Standard Pipe (Non disponible aux États-Unis)

Pièce	Réf.	Qté.	Description	Pièce	Réf.	Qté.	Description
302	169-727	1	Té 1¼" peint galvanisé	340	269-915	1	Tampon anti dérapant
302	169-727B	1	Té 1¼" peint galvanisé, BSP	341	204-421	1	Étiquette d'inspection
302	269-237	2	Té 1¼" acier inox	342	114-052	1	Enseigne de sécurité
302	269-1398	2	Té 1¼" acier inox 316	342	114-052E	1	Enseigne de sécurité (Non disponible aux États-Unis)
302	269-253	1	Té 1¼" chromé	343	151-001	2	Crochet
325	113-1199	2	Tuyau 1¼" x 26"	344a	128-156A	1	Tige
325	113-1195	2	Tuyau 1¼" x 26" acier inox 316	344b	S90-365D	1	Tige ADA
325	113-1200	2	Tuyau 1¼" x 26" acier inox	344a	128-157	1	Tige acier inox 316
325	113-1201	2	Tuyau 1¼" x 26" chromé	350a	S27-278	1	Robinet 1"
326	169-724	1	Bouchon 1¼" peint galvanisé	350a	S27-301	1	Vanne antigel 1"
326	269-251	1	Bouchon 1¼" chromé	350a.1	110-214	1	Écrou
326	269-238	1	Bouchon 1¼" acier inox	350b	S27-276	1	Robinet 1" acier inox
326	269-1402	1	Bouchon 1¼" acier inox 316	350b	S27-325	1	Vanne antigel 1" acier inox
327	169-722	1	Té 1¼" x 1" x 1¼"	350b.1	142-002BC	1	Rondelle de blocage
327	169-722B	1	Tee 1¼" x 1" x 1¼", BSP	350b.2	161-079	1	Écrou
327	269-249	1	Té 1¼" x 1" x 1¼" chromé	350c	S27-286	1	Robinet fermeture automatique 1"
328	269-1400	1	Réducteur 1¼" x 1" acier inox 316	351	140-720	1	Support d'arrêt
328	269-236	1	Réducteur 1¼" x 1" acier inox	352	124-048	1	Rondelle
329	113-006LN	1	Tuyau 1" x ferme peint galvanisé	353	S19-001	1	Ressort
329	113-1214	1	Tuyau 1" x ferme acier inox 316	354a	128-129	1	Manette
329	113-006NL	1	Tuyau 1" x ferme acier inox	354b	128-142	1	Manette acier inox
329	113-625	1	Tuyau 1" x ferme chromé	354b	128-155	1	Manette acier inox 316
330	113-006MT	1	Tuyau 1" x 21" peint galvanisé	355a	142-002DC	1	Rondelle de blocage ⅜"
330	113-1215	1	Tuyau 1" x 21" acier inox 316	360a	S24-188	1	Tête de douche
330	113-864	1	Tuyau 1" x 21" acier inox	360b	S24-191	1	Tête de douche acier inox
330	113-1216	1	Tuyau 1" x 21" chromé	360b	S24-201	1	Tête de douche acier inox 316
331	169-847	1	Coude 1" peint galvanisé	361a	187-053	1	Corps de douche acier inox
331	169-1073	1	Coude 1" chromé	361b	154-058	1	Corps de douche plastique
331	169-1074	1	Coude 1" acier inox	362	154-147	1	Anneau
331	169-1075	1	Coude 1" acier inox 316				

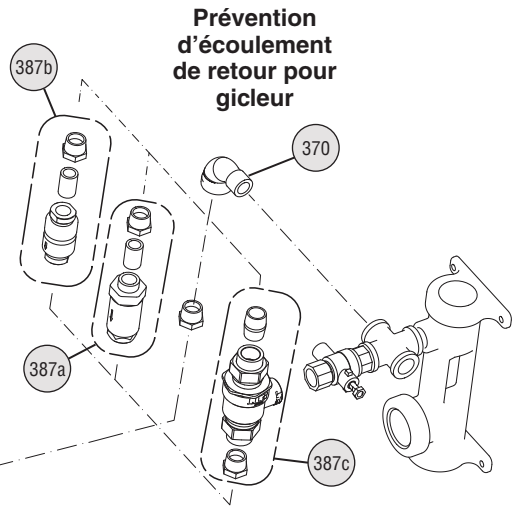
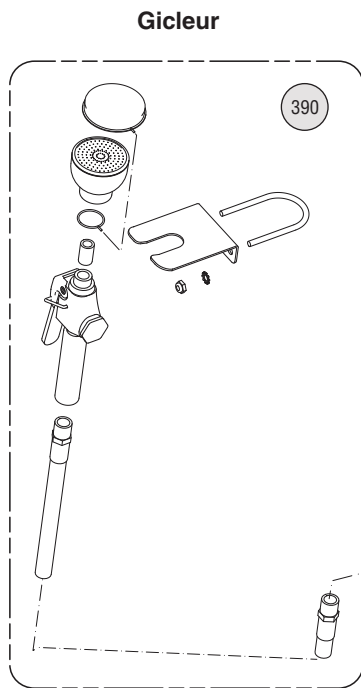
Pièces de remplacement — Accessoires en option



Pièce	Réf.	Qté.	Description
370	169-025		Coude ½" (qté. au besoin)
370	269-241		Coude ½" acier inox (qté. au besoin)
370	269-1396		Coude ½" acier inox 316 (qté. au besoin)
370	169-862		Coude ½" chromé (qté. au besoin)
371	113-006LG	1	Tuyau ½" x ferme
371	113-867	1	Tuyau ½" x ferme acier inox
371	113-1210	1	Tuyau ½" x ferme acier inox 316
371	113-006AW	1	Tuyau ½" x ferme chromé
372	169-838	1	Té ½"
372	169-1100	1	Té ½" acier inox
372	269-280	1	Té ½" chromé
372	169-1099	1	Té ½" acier inox 316

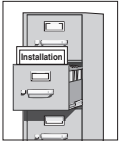


Pièce	Réf.	Description
376	S45-1986	Vanne antigel
377	S45-1989	Vanne anti-échaudage



Pièce	Réf.	Qté.	Description
387a	S27-303	1	Prévention des casse-vidé ¾"
387b	S45-2309	1	Prévention d'écoulement de retour N9
387c	S45-2310	1	Prévention d'écoulement de retour 9D
390	S19-430EH	1	Gicleur

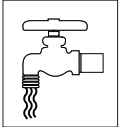
¡IMPORTANTE!



Lea en su totalidad este manual de instalación para garantizar una instalación adecuada. Una vez que termine la instalación, entregue este manual al propietario o al Departamento de Mantenimiento. Es responsabilidad de quien instale el equipo cumplir con los códigos para desagüe y otros códigos y ordenanzas locales.



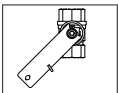
Separar todas las piezas del material de embalaje y asegurarse que todas las piezas estén incluidas antes de desechar cualquier material de embalaje. Si faltase alguna pieza, no intentar instalar la unidad combinada Bradley hasta obtener las piezas faltantes.



Aclarar el conducto del suministro de agua antes y después de la instalación. Verificar que no haya fugas y que el flujo de agua sea adecuado. El suministro principal de agua a la unidad debe estar siempre en posición "ON" (abierto). Se deben tomar medidas a fin de evitar el corte no autorizado del suministro.



La norma ANSI Z358.1 exige un suministro ininterrumpido de líquido de limpieza. Los equipos de emergencia con tuberías de Bradley requieren una presión de flujo mínima de 0,21 MPa (30 PSI). El líquido de limpieza debe estar tibio en conformidad con la norma ANSI Z358.1.



Las válvulas con funcionamiento a resorte de autocerrado no cuentan con clasificación UL para ANSI Z358.1.



Este equipo se debe inspeccionar, probar y anotar semanalmente para mantener un funcionamiento adecuado. Se debe revisar este equipo anualmente para asegurarse de que cumpla con la norma ANSI Z358.1.



Los trabajadores que puedan tener contacto con materiales potencialmente peligrosos deben recibir capacitación sobre la ubicación y operación adecuada de los equipos de emergencia en conformidad con la norma ANSI Z358.1.



Para consultas sobre la operación o instalación de este producto, visite www.bradleycorp.com o llame al 1-800-BRADLEY.

Las garantías del producto se pueden encontrar en "Información del producto" o en nuestro sitio Web, www.bradleycorp.com.

Materiales necesarios:

- (3) anclas para el piso y pernos de 3/8"
- Sellador de tubería
- Tubería a la entrada de suministro de agua NPT de 1 1/4" (30–90 psi)
- Tubería a la salida del desagüe NPT a 1 1/4" (si se incluye con la unidad)
- Apoyos de tubería de suministro adecuados
- Desagüe mínimo de 4" para acomodar la descarga de 30 galones (115 litros) por minuto del desprendimiento de la ducha
- OPCIONAL: Tornillería para montar el aviso de seguridad



Los códigos locales pueden exigir la instalación de una válvula de prevención de contraflujo para completar la instalación correcta. La conformidad con los códigos locales es de responsabilidad del instalador. La válvula se debe probar anualmente para verificar que funcione de manera correcta. Las válvulas de prevención de contraflujo no se incluyen con el accesorio y las puede proporcionar el contratista o las puede comprar en Bradley Corporation.

Modelos preconfigurados Halo

Número de Modelo - Halo	Descripción
Lavaojos	
<input type="checkbox"/> S19314EW*	Lavaojos Halo, cabezal de ducha y palangana plástico
<input type="checkbox"/> S19314P*	Lavaojos Halo, cabezal de ducha y palangana de plástico con rociador de manguera
<input type="checkbox"/> S19314SB*	Lavaojos Halo, cabezal de ducha plástico, palangana acero inox
<input type="checkbox"/> S19314LL*	Lavaojos Halo, cabezal de ducha plástico, palangana acero inox, activación con el pie o la mano
<input type="checkbox"/> S19314F*	Lavaojos Halo, cabezal de ducha plástico con casco acero inox y palangana
<input type="checkbox"/> S19314UU*	Lavaojos Halo, cabezal de ducha plástico con casco acero inox y palangana, lavado ocular activado con el pie o la mano
Lavaojos con cubierta contrapolvo	
<input type="checkbox"/> S19314PDC*	Lavaojos Halo, cabezal de ducha y palangana plástico con cubierta contrapolvo
<input type="checkbox"/> S19314DC*	Lavaojos Halo, cabezal de ducha plástico, palangana acero inox y cubierta para el polvo con bisagras
Lavaojos/Rostro	
<input type="checkbox"/> S19314FW*	Lavaojos/rostro Halo, cabezal de ducha y palangana plástico
<input type="checkbox"/> S19314SBFW*	Lavaojos/rostro Halo, cabezal de ducha plástico, palangana acero inox
<input type="checkbox"/> S19314AC*	Lavaojos/rostro Halo, cabezal de ducha plástico, palangana acero inox, lavado ocular activado con el pie o la mano
<input type="checkbox"/> S19314TT*	Lavaojos/rostro Halo, cabezal de ducha plástico con casco acero inox y palangana
<input type="checkbox"/> S19314SPR*	Lavaojos/rostro Halo, cabezal de ducha acero inox y palangana, lavado ocular activado con el pie o la mano
<input type="checkbox"/> S19314BFPB*	Lavaojos/rostro Halo, fácil acceso, cabezal de ducha y palangana plástico
<input type="checkbox"/> S19314BF*	Lavaojos/rostro Halo, fácil acceso, cabezal de ducha plástico, palangana acero inox
Lavaojos/Rostro con cubierta contrapolvo	
<input type="checkbox"/> S19314PDCFW*	Lavaojos/rostro Halo, cabezal de ducha y palangana plástico con cubierta contrapolvo
<input type="checkbox"/> S19314DCFW*	Lavaojos/rostro Halo, cabezal de ducha plástico, palangana acero inox y cubierta para el polvo con bisagras
<input type="checkbox"/> S19314DCBF*	Lavaojos/rostro Halo, fácil acceso, cabezal de ducha plástico, palangana acero inox con cubierta contrapolvo
Lavaojos/Rostro sin receptor	
<input type="checkbox"/> S19314GG*	Lavaojos/rostro Halo, cabezal de ducha plástico, sin palangana
Lavado ocular completamente de acero inoxidable	
<input type="checkbox"/> S19314BFSS	Lavado ocular y facial de acero inoxidable Halo y cabezal de ducha, fácil acceso
<input type="checkbox"/> S19314FSS	Lavado ocular y facial de acero inoxidable Halo y cabezal de ducha
<input type="checkbox"/> S19314SC	Lavado ocular y facial de acero inoxidable Halo, palangana, cubierta y cabezal de ducha
<input type="checkbox"/> S19314SS	Lavado ocular y facial de acero inoxidable Halo y cabezal de ducha con activación con el pie
<input type="checkbox"/> S19314SS16	Lavado ocular y facial de acero inoxidable 316 Halo y cabezal de ducha con activación con el pie

* Modelos europeos disponibles. Para el número de modelo europeo, agregue una Z al final del número de pieza existente. Por ejemplo, S19314EW quedará como S19314EWZ.

Configuración del producto

Selecciones estándares (se debe seleccionar una de cada categoría)

Configuración

- A** Fácil acceso
- B** Flujo de altura 24"
- C** Flujo de altura 24", fácil acceso
- O** Flujo de altura 6", estándar

Material de la tubería

- A** Acero inox NPT galvanizado con amarillo BradTect®
- B** Acero inox 304 NPT
- C** Acero inox 316 NPT*
- D** Latón cromado NPT
- F** BSP, Acero inox galvanizado con amarillo BradTect®‡
- G** BSP, Acero inox 304‡
- J** BSP, Latón cromado‡

Válvula

- 1** Abertura continua (duchas de alto flujo y lavaojos), latón cromado
- 2** Abertura continua (duchas de alto flujo y lavaojos), acero inox 316
- 3** Autocerrado (duchas de alto flujo) y apertura continua (lavaojos), latón cromado**

Cabezal Rociador

- A** Cabezal rociador plástico
- B** Cabezal rociador plástico con casco plástico
- C** Cabezal rociador plástico con casco acero inox
- D** Cabezal rociador acero inox 304 de alto rendimiento
- E** Cabezal rociador acero inox 316 de alto rendimiento

Lavaojos - lavaojos/rostro

- A** Lavaojos Halo
- B** Lavaojos/rostro Halo
- D** Lavaojos Halo, horquilla acero inox 304 NPT
- E** Lavaojos/rostro Halo, horquilla acero inox 304 NPT
- F** Lavado ocular y facial de acero inoxidable 304 Halo, horquilla acero inox 304 NPT
- G** Lavaojos Halo, horquilla acero inox 316 NPT
- H** Lavaojos/rostro Halo, horquilla acero inox 316 NPT
- J** Lavado ocular y facial de acero inoxidable 316 Halo, horquilla acero inox 316 NPT

Receptor y cubierta contrapolvo

- A** Receptor plástico, sin cubierta contrapolvo
- B** Receptor plástico, cubierta contrapolvo plástico
- D** Receptor acero inox 304, sin cubierta contrapolvo
- E** Receptor acero inox 304, cubierta contrapolvo acero inox 304
- F** Receptor acero inox 304, cubierta contrapolvo plástico
- G** Receptor acero inox 316, sin cubierta contrapolvo
- H** Receptor acero inox 316, cubierta contrapolvo acero inox 316
- J** Receptor acero inox 316, cubierta contrapolvo plástico
- O** Sin receptor, sin cubierta contrapolvo

Activación

- A** Manija acero inox 304
- B** Manija acero inox 316
- C** Manija acero inox 304 con pedal de aluminio*
- D** Manija acero inox 304 con pedal acero inox*
- E** Manija acero inox 316 con pedal acero inox*

Rociador y prevención de contraflujo

- A** Rociador con interruptor de vacío
- B** Rociador con prevención de contraflujo N9
- C** Rociador con prevención de contraflujo 9D
- D** Rociador sin prevención de contraflujo
- O** Sin rociador, sin prevención de contraflujo
- Z** Conexiones del rociador (el rociador no se incluyen)

Protección contra congelamiento y contra quemaduras

- N** Válvulas de protección contra congelamiento
- P** Válvulas de protección contra quemaduras
- R** Válvulas de protección contra congelamiento y contra quemaduras
- O** Sin válvulas de protección contra congelamiento, sin válvulas de protección contra quemaduras
- Z** Conexiones para las válvulas (las válvulas no se incluyen)

NPT = National Pipe Thread (Estándar nacional de roscas para tuberías)

BSP = British Standard Pipe Thread (Estándar británico de roscas para tuberías)

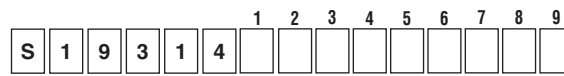
* No disponible con configuraciones de instalaciones para minusválidos.

** Las válvulas con funcionamiento a resorte de autocerrado no cuentan con clasificación UL para ANSI Z358.1

‡ No disponible en los Estados Unidos.

Cómo especificar el modelo y las configuraciones de los productos Bradley:

Modelo No. S19314

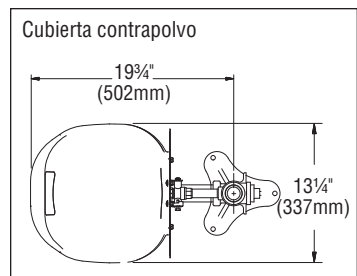
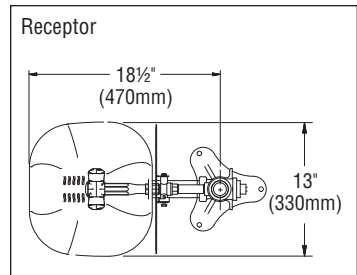
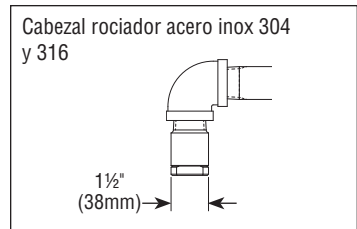
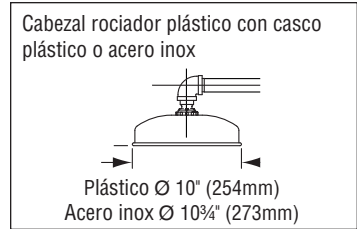
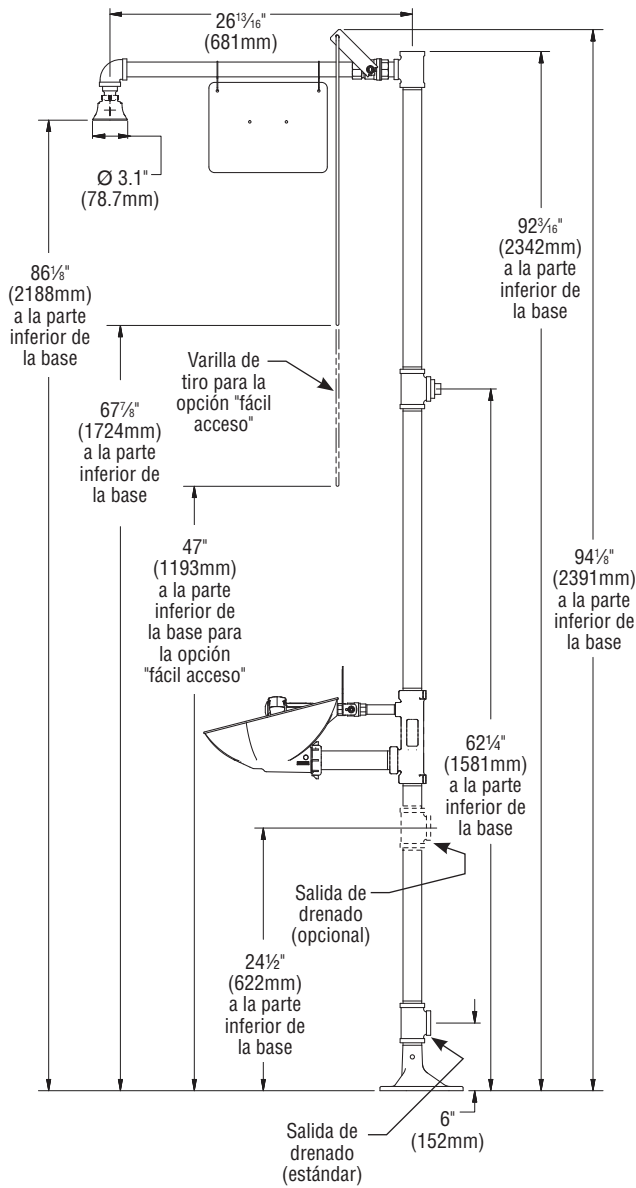


- 1. Configuración
- 2. Material de la tubería
- 3. Válvula
- 4. Cabezal Rociador
- 5. Lavaojos - lavaojos/rostro

- 6. Receptor y cubierta contrapolvo
- 7. Activación
- 8. Rociador y prevención de contraflujo
- 9. Protección contra congelamiento y contra quemaduras

Dimensiones

S19314 se muestra con receptor plástico y cabezal rociador plástico



✓ Todas las dimensiones asumen el enganche de rosca estándar. Las variaciones en la fabricación permiten +/- 3,1 mm (1/8") por junta roscada. Para encontrar la tolerancia de una dimensión, agregue el número de juntas roscadas entre una dimensión y multiplíquelo por 3,1 mm (1/8").

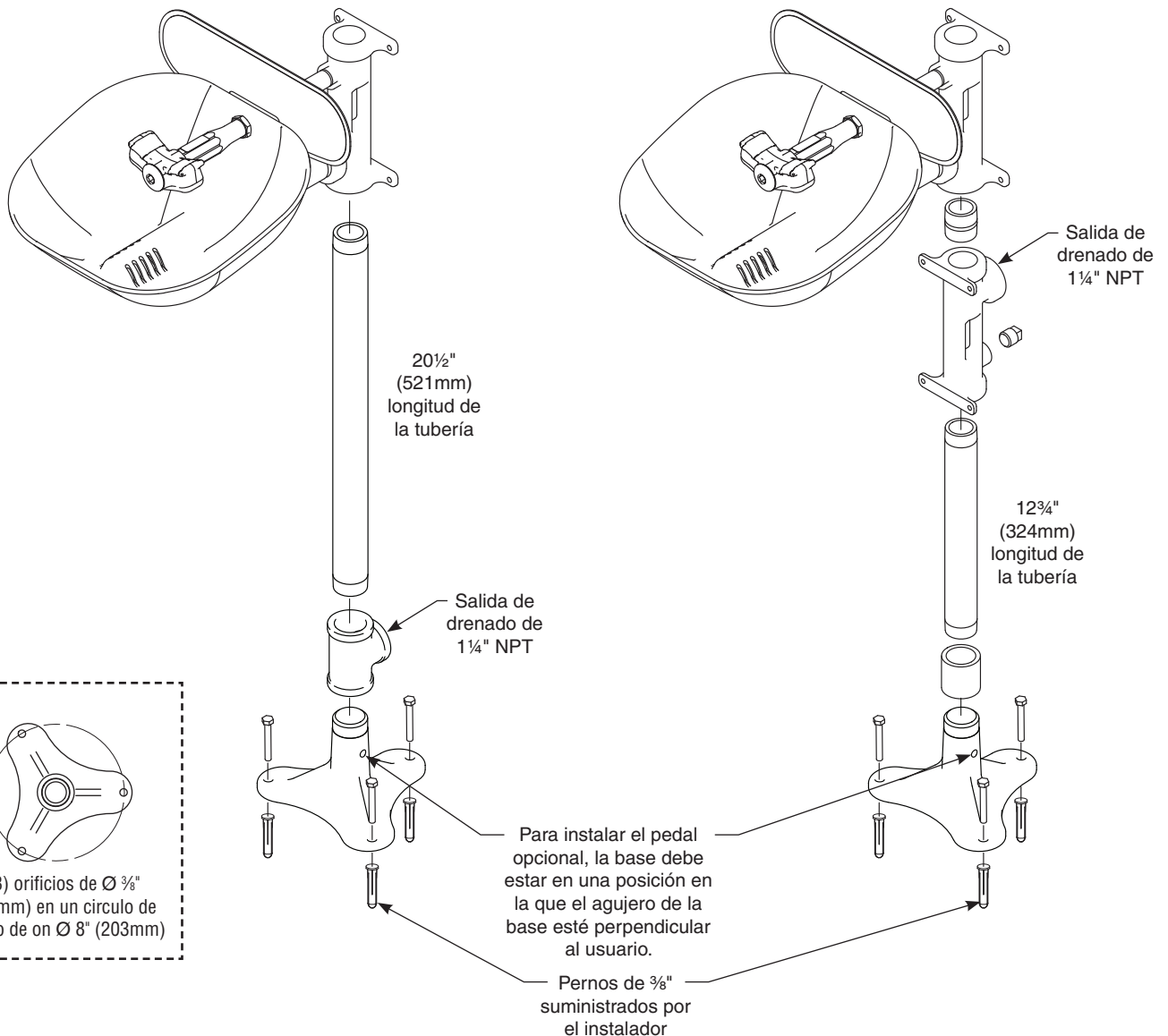
El flujo del agua	
Cabezal rociador	20–26 gpm
Lavaojos	4–5 1/4 gpm
Lavaojos/rostro	4–5 1/4 gpm
Lavado de cuerpo	2–8 gpm

1 Montaje — Base y Lavaojos

- ✓ Se muestra una unidad lavaojos estándar. Las otras unidades son similares.
- ✓ Conecte los componentes antes de fijar la base al suelo. Usar una almohadilla de agarre alrededor de la tubería al apretar para evitar estropearla.
- ✓ Aplicar sellador de tubería a todas las juntas de tubería de rosca macho. No deje que el sellador se derrame sobre el borde de los tubos.

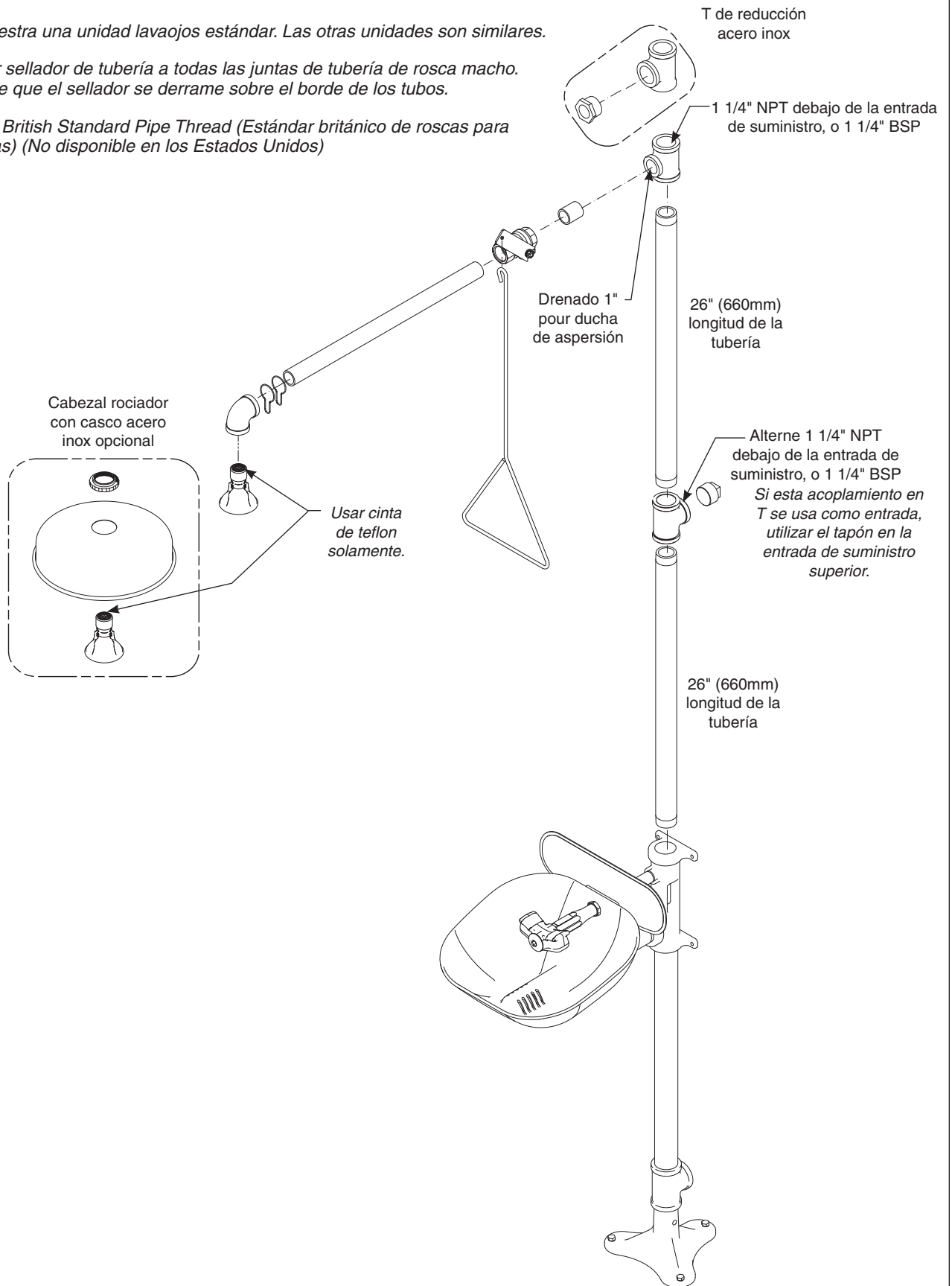
La unidad de Halo de flujo de altura estándar

La unidad de Halo de flujo de altura 24" opcional



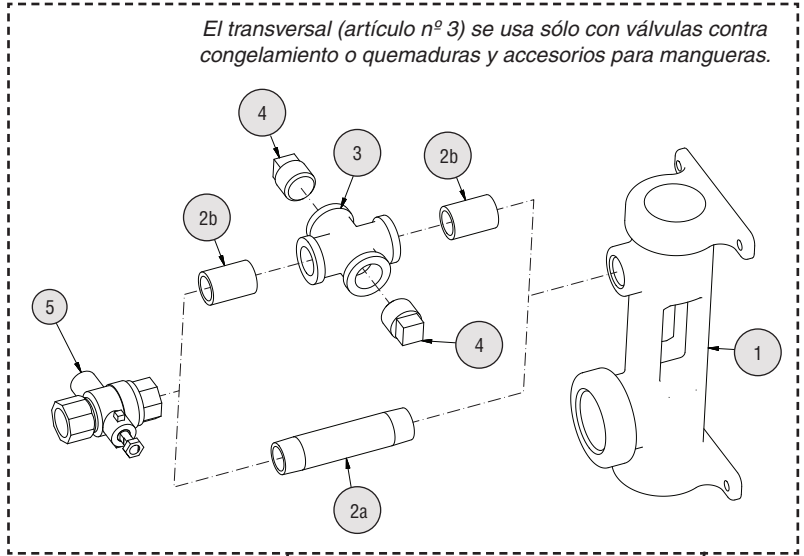
2 Montaje — Cabezal Rociador

- ✓ Se muestra una unidad lavajeros estándar. Las otras unidades son similares.
- ✓ Aplicar sellador de tubería a todas las juntas de tubería de rosca macho. No deje que el sellador se derrame sobre el borde de los tubos.
- ✓ BSP = British Standard Pipe Thread (Estándar británico de roscas para tuberías) (No disponible en los Estados Unidos)

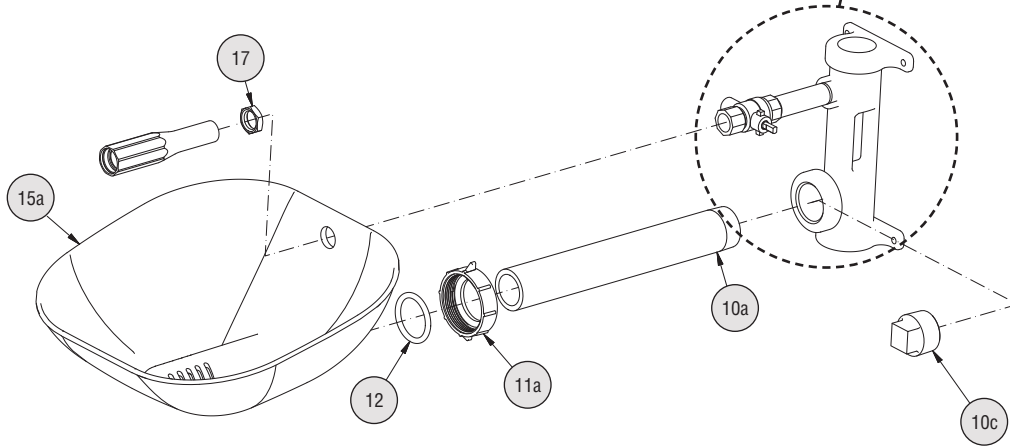


Piezas de repuesto — Receptor y Buje

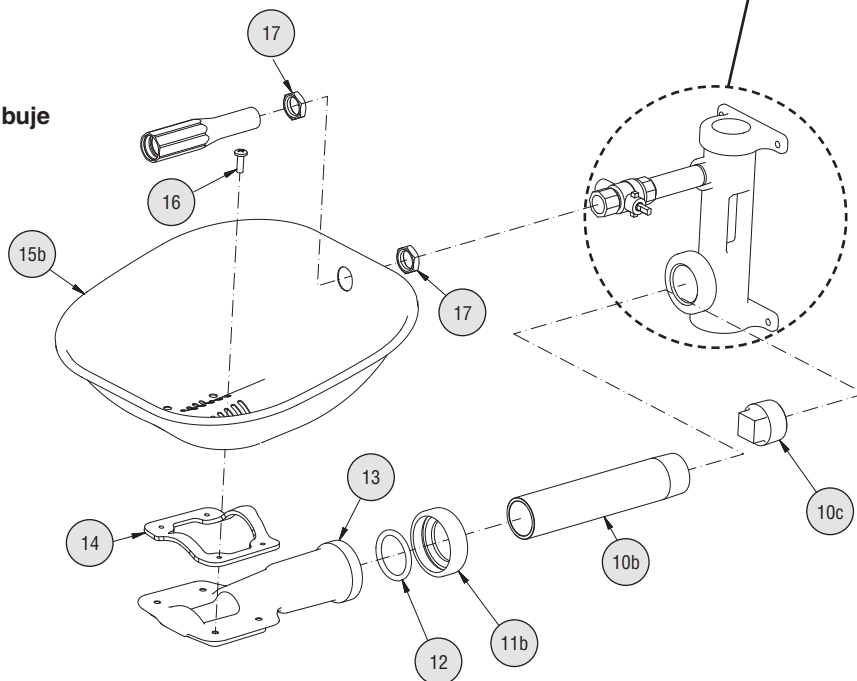
El transversal (artículo nº 3) se usa sólo con válvulas contra congelamiento o quemaduras y accesorios para mangueras.



Receptor plástico con buje

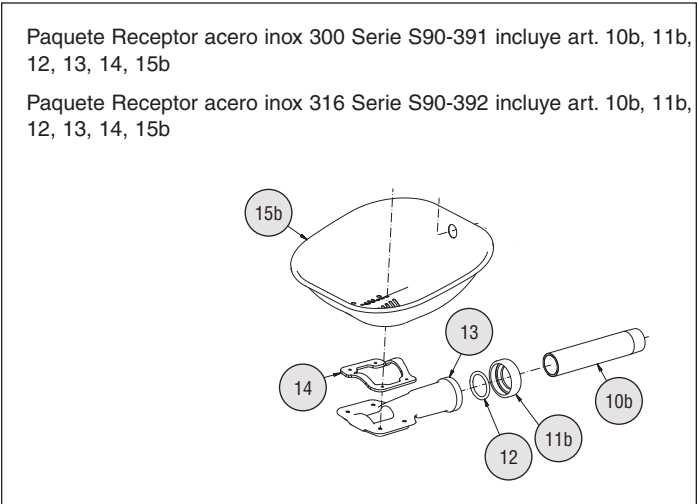
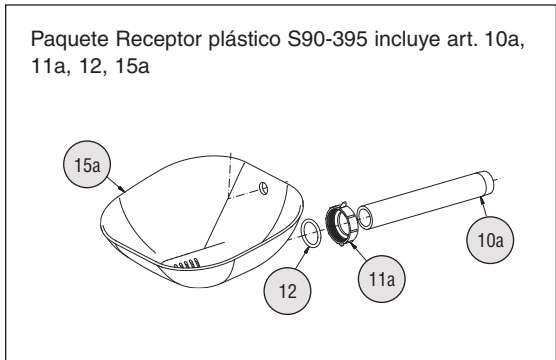


Receptor acero inox con buje

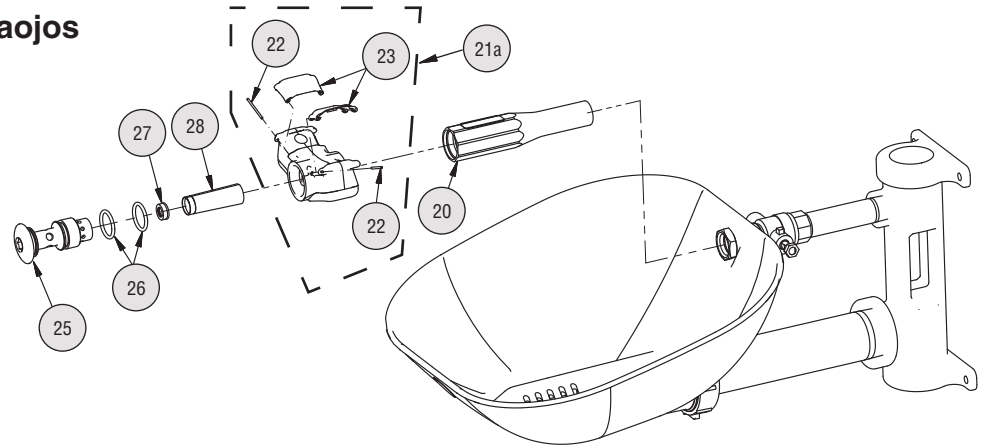


Lista de piezas — Receptor y buje

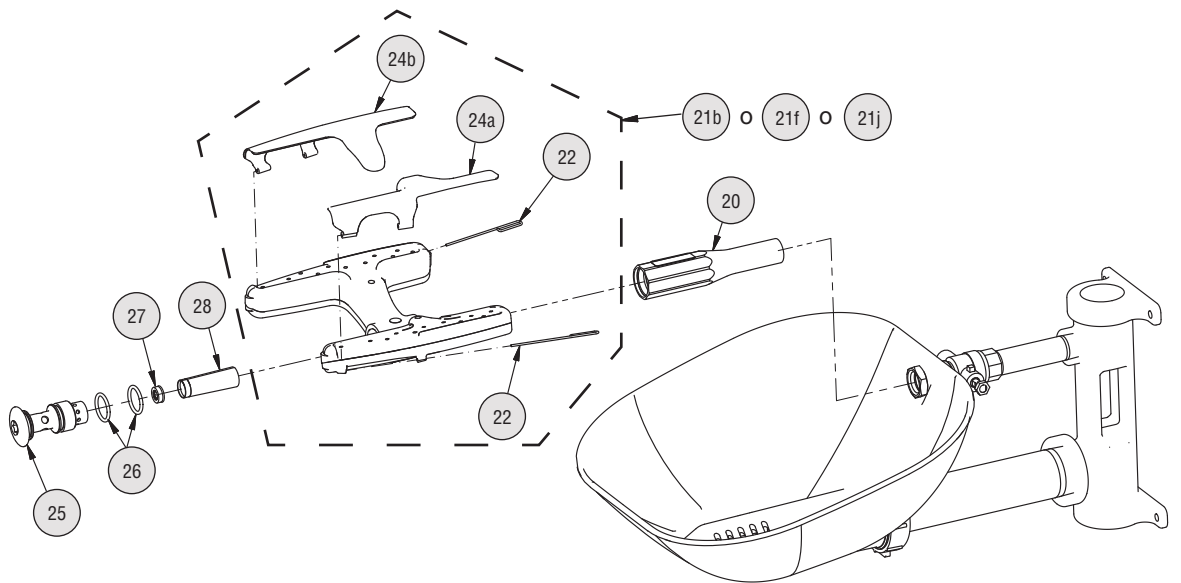
Art.	Pieza No.	Ctd.	Descripción	Art.	Pieza No.	Ctd.	Descripción
1	111-092	1	Buje	10a	113-1202	1	Tubería 1¼" x 11" rosca extremo
1	111-093	1	Buje acero inox	10a	113-1203	1	Tub. 1¼" x 11" acero inox rosca extremo
1	111-095	1	Buje acero inox 316	10b	113-1204	1	Tubería 1¼" x 7" rosca extremo
1	111-094	1	Buje acero inox pulido	10b	113-1205	1	Tubería 1¼" x 7" acero inox rosca extremo
2a	113-006LQ	1	Tubería ½" x 3½"	10b	113-1206	1	Tub. 1¼" x 7" cromado rosca extremo
2a	113-965	1	Tubería ½" x 3½" acero inox	10b	113-1212	1	Tub. 1¼" x 7" acero inox 316 rosca extremo
2a	113-1211	1	Tubería ½" x 3½" acero inox 316	10c	169-724	1	Tápon 1¼" pintado galvanizado
2a	113-596	1	Tubería ½" x 3½" cromado	10c	269-251	1	Tápon 1¼" cromado
2b	113-006LG	2	Tubería ½" x rosca exterior	10c	269-238	1	Tápon 1¼" acero inox
2b	113-867	2	Tubería ½" x rosca exterior en acero inox	10c	269-1402	1	Tápon 1¼" acero inox 316
2b	113-1210	2	Tubería ½" x rosca exterior en acero inox 316	11a	110-239	1	Tuerca, plástico
2b	113-006AW	2	Tubería ½" x rosca exterior cromado	11b	110-240	1	Tuerca, acero inox
3	169-1090	1	Transversal ½"	11b	110-242	1	Tuerca, acero inox 316
3	169-1091	1	Transversal ½" acero inox	12	125-176	1	Arosello
3	169-1098	1	Transversal ½" acero inox 316	13	111-099	1	Soporte Receptor aluminio
3	169-1097	1	Transversal ½" cromado	13	111-100	1	Soporte Receptor pintado aluminio
4	300-0393	2	Tápon ½" cromado	13	111-101	1	Soporte Receptor acero inox
4	153-230	2	Tápon ½" acero inox	13	111-102	1	Soporte Receptor acero inox 316
4	153-460	2	Tápon ½" acero inox 316	14	124-082	1	Junta
5	S27-327	1	Válvula ½" con tuerca	15a	187-320	1	Receptor plástico
5	S27-328	1	Válvula ½" acero inox 316 con tuerca	15b	S90-393	1	Receptor acero inox (incluye art. 14)
5	S27-329	1	Válvula de protección contra congelamiento ½" con tuerca	15b	S90-394	1	Receptor acero inox 316 (incluye art. 14)
5	S27-330	1	Válvula de protección contra quemaduras ½" con tuerca	16	160-467	4	Tornillo
5.1	110-215	1	Tuerca	17	110-115a		Tuerca ½" NPSM latón cromado (ctd. la req.)
5.1	110-248	1	Tuerca acero inox 316	17	110-238		Tuerca ½" NPSM acero inox (ctd. la req.)
				17	110-241		Tuerca ½" NPSM acero inox 316 (ctd. la req.)



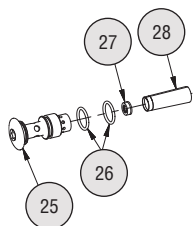
Piezas de repuesto — Lavajos



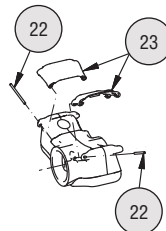
Piezas de repuesto — Lavajos/rostro



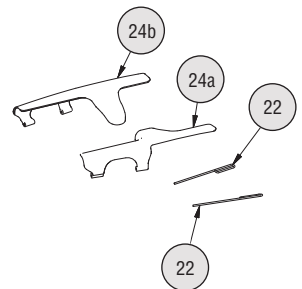
- Paquete S65-339 incluye art. 26, 27, 28
- Paquete S88-068 incluye art. 25, 26, 27, 28
- Paquete S88-069 incluye art. 25, 26, 27, 28 (300 series ss)
- Paquete S88-070 incluye art. 25, 26, 27, 28 (316 ss)



- Paquete tapa protectora lavajos S45-2675 incluye art. 22 and 23

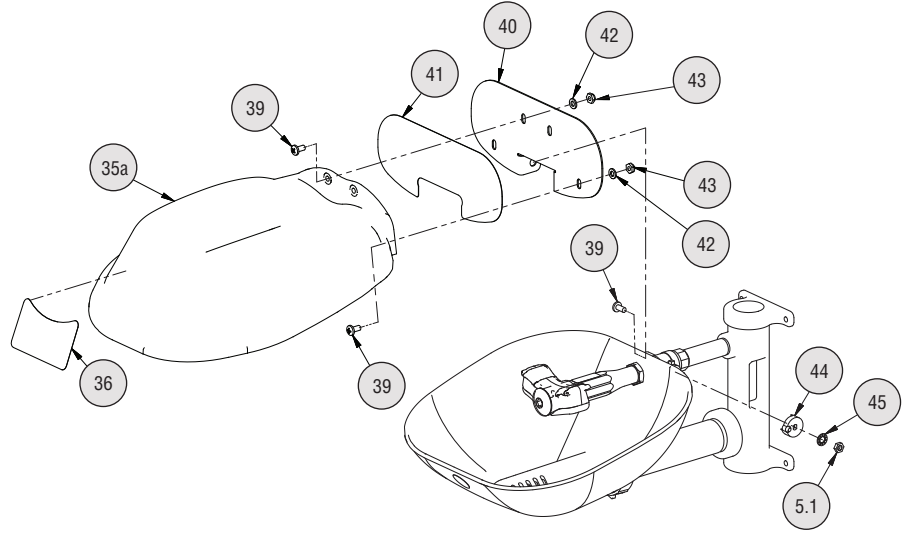
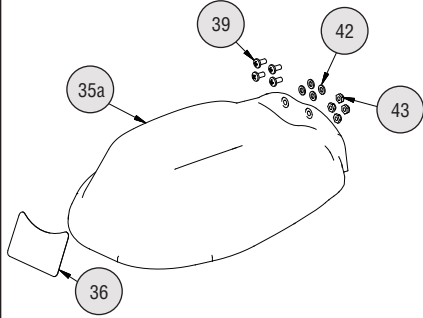


- Paquete tapa protectora lavajos/rostro S45-2676 incluye art. 22, 24a and 24b



Piezas de repuesto — Cubierta contrapolvo plástico

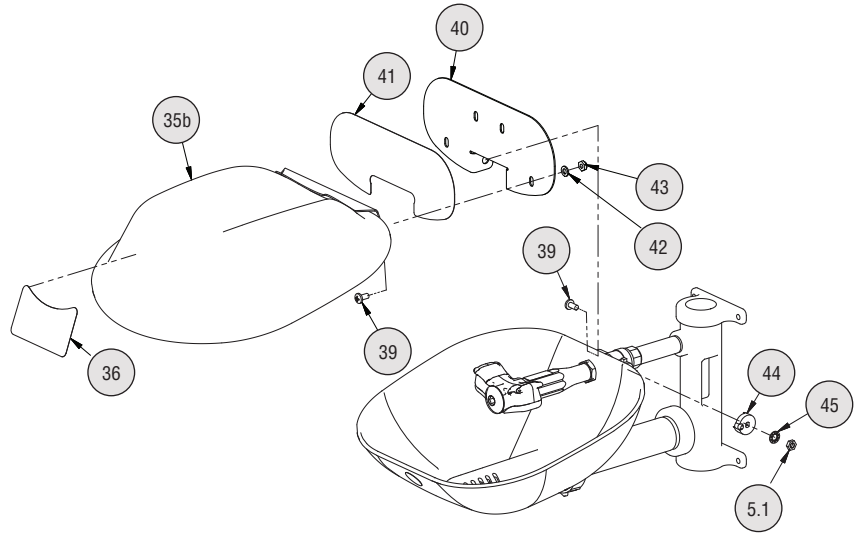
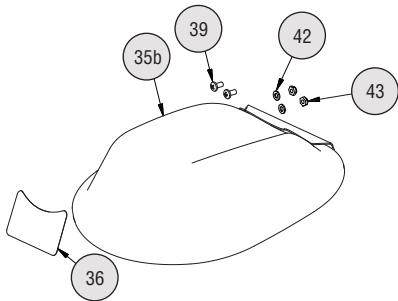
Paquete cubierta contrapolvo plástico S90-390 incluye art. 35a, 36, 39, 42, 43



Piezas de repuesto — Cubierta contrapolvo acero inox

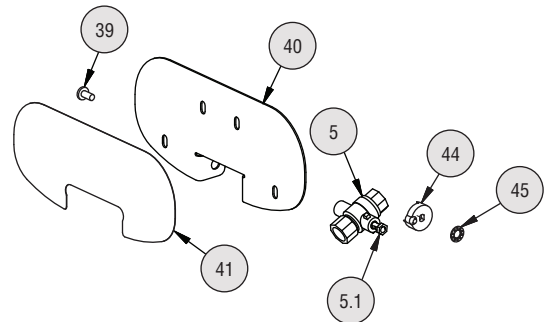
Paquete cubierta contrapolvo acero inox S90-388 incluye art. 35b, 36, 39, 42, 43

Paquete cubierta contrapolvo acero inox (316) S90-389 incluye art. 35b, 36, 39, 42, 43



Paquete Manija incluye art. 39, 40, 41, 44, 45, 5, 5.1

- Paquete S08-390 (para las unidades con válvula de latón)
- Paquete S08-391 (para las unidades con válvula de acero inox)
- Paquete S08-392 (para las unidades con válvula de protección contra congelamiento de latón)
- Paquete S08-393 (para las unidades con válvula de protección contra congelamiento de acero inox)
- Paquete S08-394 (para las unidades con válvula de acero inox 316 y manija)
- Paquete S08-395 (para las unidades con válvula de protección contra congelamiento de acero inox 316 y manija)



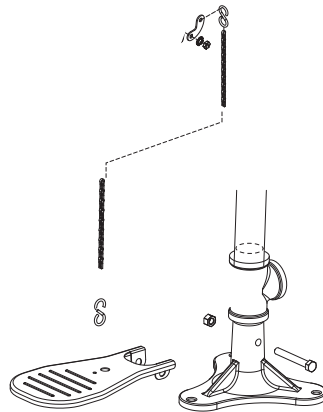
Lista de piezas — Lavaojos, lavaojos/rostro y cubierta

Art.	Pieza No.	Ctd.	Descripción	Art.	Pieza No.	Ctd.	Descripción
20	171-001	1	Cuerpo	26	125-157	2	Arosello
20	171-002	1	Cuerpo acero inox	27	125-175	1	Control del flujo
20	171-003	1	Cuerpo acero inox 316	28	S65-340	1	Filtro (paquete de 3)
20	171-004	1	Cuerpo pulido	35a	juego de repuesto	1	Cubierta plástico
21a	S05-190	1	Lavaojos (incluye)	35b	juego de repuesto	1	Cubierta acero inox
22	juego de repuesto	2	Pasador de pivote	35b	juego de repuesto	1	Cubierta acero inox 316
23	juego de repuesto	2	Tapa protectora	36	114-097	1	Etiqueta (cubierta)
21b	S05-192	1	Lavaojos/rostro (incluye)	39	160-389	ctd. la req.	Tornillo ¼-20 x ½" acero inox
22	juego de repuesto	2	Pasador de pivote	39	160-469	ctd. la req.	Tornillo ¼-20 x ½" acero inox 316
24a	juego de repuesto	1	Tapa protectora derecha	40	S08-385	1	Manija acero inox (incluye art.) 41, 44, 45, 5.1)
24b	juego de repuesto	1	Tapa protectora izquierda	40	S08-388	1	Manija acero inox 316 (incluye art.) 41, 44, 45, 5.1)
21f	S05-204	1	Conjunto de boquillas rociadoras de acero inoxidable 304 para ojos y cara (incluye)	41	114-096	1	Etiqueta
22	juego de repuesto	2	Pasador de pivote	42	142-002AV	ctd. la req.	Arandela
24a	juego de repuesto	1	Tapa protectora derecha	43	161-060	ctd. la req.	Tuerca acero inox
24b	juego de repuesto	1	Tapa protectora izquierda	43	161-062	ctd. la req.	Tuerca acero inox 316
21j	S05-205	1	Conjunto de boquillas rociadoras de acero inoxidable 316 para ojos y cara (incluye)	44	153-372R	1	Adaptador Válvula
22	juego de repuesto	2	Pasador de pivote	44	153-372R316	1	Adaptador Válvula acero inox 316
24a	juego de repuesto	1	Tapa protectora derecha	45	142-002DA	1	Rondana de seguridad
24b	juego de repuesto	1	Tapa protectora izquierda				
25	115-158	1	Tapa				
25	115-159	1	Tapa acero inox				
25	115-164	1	Tapa acero inox 316				
25	115-165	1	Tapa pulido				

Piezas de repuesto y lista de piezas — Base y drenaje

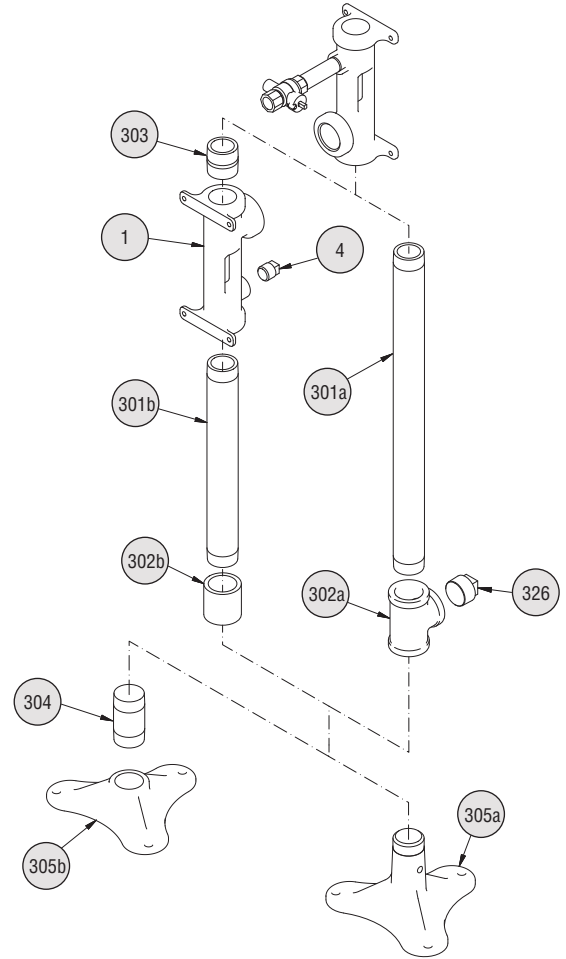
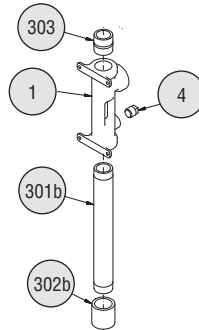
Paquete pedal

- S45-572 (estándar)
- S45-1314SS (acero inox)
- S45-1314SS16 (acero inox 316)



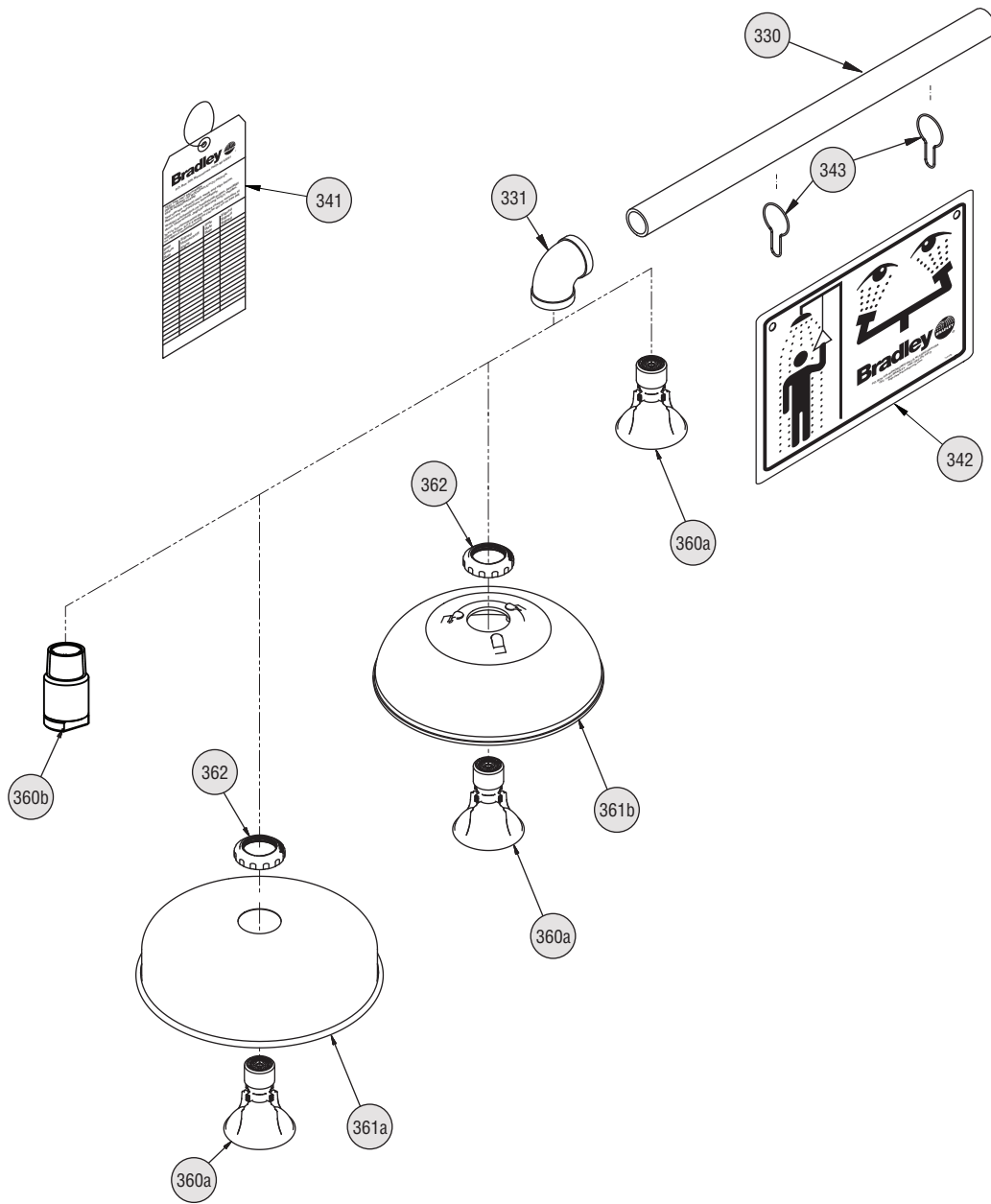
Paquete Base y drenaje de 24" incluye art. 1, 4, 301b, 302b, 303

- S29-098 (estándar)
- S29-099 (acero inox)
- S29-100 (acero inox 316)
- S29-101 (cromado)



Art.	Pieza No.	Ctd.	Descripción	Art.	Pieza No.	Ctd.	Descripción
1	111-092	1	Buje	302a	269-253	1	T 1¼" cromado
1	111-093	1	Buje acero inox	302b	169-853	1	Acoplamiento 1¼" galvanisé
1	111-095	1	Buje acero inox 316	302b	269-257	1	Acoplamiento 1¼" cromado
1	111-094	1	Buje acero inox pulido	302b	269-1048	1	Acoplamiento 1¼" acero inox
4	300-0393	2	Tapón ½" cromado	302b	269-2016	1	Acoplamiento 1¼" acero inox 316
4	153-230	2	Tapón ½" acero inox	303	113-006NA	1	Tub. 1¼" x rosca exterior pintado galvanizado
4	153-460	2	Tapón ½" acero inox 316	303	113-865	1	Tubería 1¼" x rosca exterior acero inox
301a	113-1197	1	Tubería 1¼" x 20½"	303	113-1223	1	Tubería 1¼" x rosca exterior acero inox 316
301a	113-1198	1	Tubería 1¼" x 20½" cromado	304	S06-189	1	Tapón cromado sólido
301a	113-541	1	Tubería 1¼" x 20½" acero inox	305a	131-059	1	Base pintado
301a	113-1213	1	Tubería 1¼" x 20½" acero inox 316	305a	131-062	1	Base acero inox
301b	113-1217	1	Tubería 1¼" x 12¾"	305a	131-079	1	Base acero inox 316
301b	113-1218	1	Tubería 1¼" x 12¾" cromado	305b	131-044	1	Base cromado
301b	113-1219	1	Tubería 1¼" x 12¾" acero inox	326	169-724	1	Tápon 1¼" pintado galvanizado
301b	113-1220	1	Tubería 1¼" x 12¾" acero inox 316	326	269-251	1	Tápon 1¼" cromado
302a	169-727	1	T 1¼" pintado galvanizado	326	269-238	1	Tápon 1¼" acero inox
302a	269-237	1	T 1¼" acero inox	326	269-1402	1	Tápon 1¼" acero inox 316
302a	269-1398	1	T 1¼" acero inox 316				

Piezas de repuesto — Ducha de aspersión

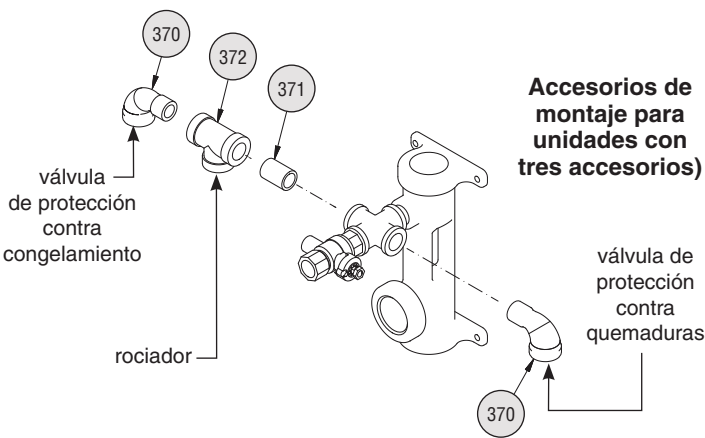
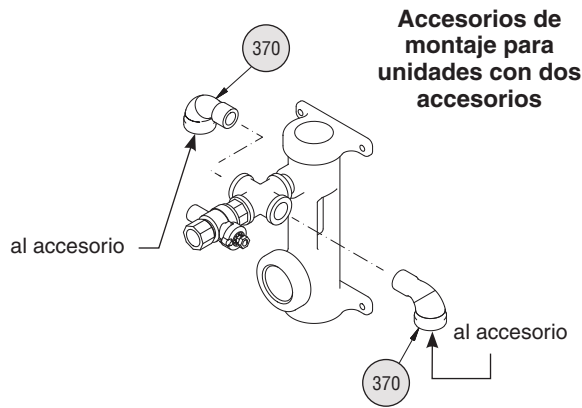


Lista de piezas — Cabezal rociador y válvula

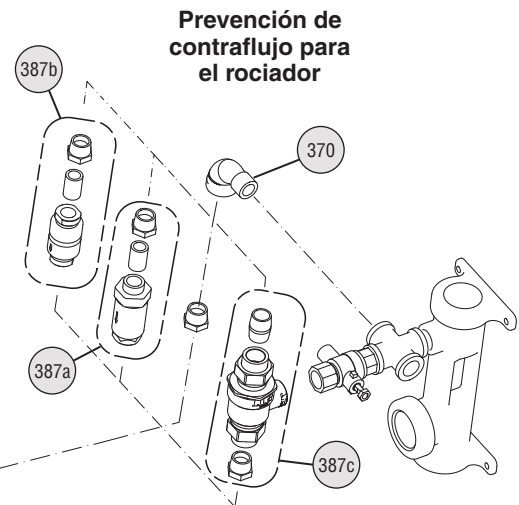
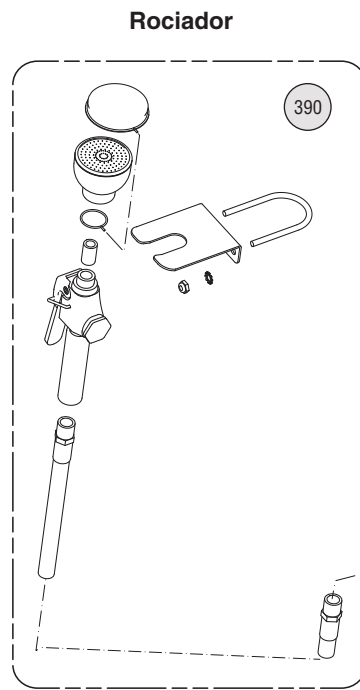
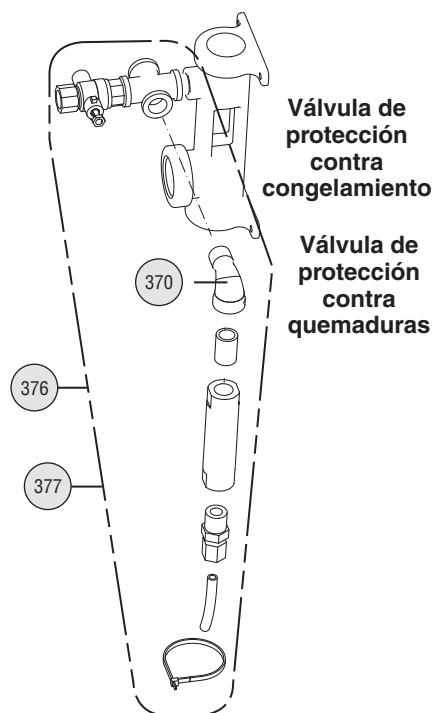
BSP = British Standard Pipe Thread (Estándar británico de roscas para tuberías) (No disponible en los Estados Unidos)

Art.	Pieza No.	Ctd.	Descripción	Art.	Pieza No.	Ctd.	Descripción
302	169-727	1	T 1¼" pintado galvanizado	340	269-915	1	Almohadilla de agarre preempaquetada
302	169-727B	1	T 1¼" pintado galvanizado, BSP	341	204-421	1	Etiqueta de emergencia
302	269-237	2	T 1¼" acero inox	342	114-052	1	Aviso de seguridad
302	269-1398	2	T 1¼" acero inox 316	342	114-052E	1	Aviso de seguridad (No disponible en los Estados Unidos)
302	269-253	1	T 1¼" cromado	343	151-001	2	Gancho
325	113-1199	2	Tubería 1¼" x 26"	344a	128-156A	1	Varilla de tiro
325	113-1195	2	Tubería 1¼" x 26" acero inox 316	344b	S90-365D	1	Varilla de tiro ADA
325	113-1200	2	Tubería 1¼" x 26" acero inox	344a	128-157	1	Varilla de tiro acero inox 316
325	113-1201	2	Tubería 1¼" x 26" cromado	350a	S27-278	1	Válvula 1"
326	169-724	1	Tápon 1¼" pintado galvanizado	350a	S27-301	1	Válvulas de protección contra congelamiento 1"
326	269-251	1	Tápon 1¼" cromado	350a.1	110-214	1	Tuerca
326	269-238	1	Tápon 1¼" acero inox	350b	S27-276	1	Válvula 1" acero inox
326	269-1402	1	Tápon 1¼" acero inox 316	350b	S27-325	1	Válv. de protección contra congelamiento 1" acero inox
327	169-722	1	T 1¼" x 1" x 1¼"	350b.1	142-002BC	1	Contratuerca
327	169-722B	1	T 1¼" x 1" x 1¼", BSP	350b.2	161-079	1	Tuerca
327	269-249	1	T 1¼" x 1" x 1¼" cromado	350c	S27-286	1	Válvula autocerrado 1"
328	269-1400	1	Reductor 1¼" x 1" acero inox 316	351	140-720	1	Soporte de tope
328	269-236	1	Reductor 1¼" x 1" acero inox	352	124-048	1	Rondana
329	113-006LN	1	Tub. 1" x rosca exterior pintado galvanizado	353	S19-001	1	Resorte
329	113-1214	1	Tubería 1" x rosca exterior acero inox 316	354a	128-129	1	Manija
329	113-006NL	1	Tubería 1" x rosca exterior acero inox	354b	128-142	1	Manija acero inox
329	113-625	1	Tubería 1" x rosca exterior cromado	354b	128-155	1	Manija acero inox 316
330	113-006MT	1	Tubería 1" x 21" pintado galvanizado	355a	142-002DC	1	Contratuerca ⅜"
330	113-1215	1	Tubería 1" x 21" acero inox 316	360a	S24-188	1	Conjunto de cabezal rociador
330	113-864	1	Tubería 1" x 21" acero inox	360b	S24-191	1	Conjunto de cabezal rociador acero inox
330	113-1216	1	Tubería 1" x 21" cromado	360b	S24-201	1	Conj. de cabezal rociador acero inox 316
331	169-847	1	Codo 1" pintado galvanizado	361a	187-053	1	Casco del cabezal rociador acero inox
331	169-1073	1	Codo 1" cromado	361b	154-058	1	Casco del cabezal rociador plastique
331	169-1074	1	Codo 1" acero inox	362	154-147	1	Anillo
331	169-1075	1	Codo 1" acero inox 316				

Piezas de repuesto — Accesorios opcionales



Art.	Pieza No.	Cant.	Descripción
370	169-025	la req.	Codo ½"
370	269-241	la req.	Codo ½" acero inox
370	269-1396	la req.	Codo ½" acero inox 316
370	169-862	la req.	Codo ½" cromado
371	113-006LG	1	Tubería ½" x cierre
371	113-867	1	Tubería ½" x cierre acier inox
371	113-1210	1	Tubería ½" x cierre acier inox 316
371	113-006AW	1	Tubería ½" x cierre cromado
372	169-838	1	T ½"
372	169-1100	1	T ½" acero inox
372	269-280	1	T ½" cromado
372	169-1099	1	T ½" acero inox 316



Art.	Pieza No.	Descripción
376	S45-1986	Válvula de protección contra congelamiento
377	S45-1989	Válvula de protección contra quemaduras

Art.	Pieza No.	Cant.	Descripción
387a	S27-303	1	Interruptor de vacío ⅜"
387b	S45-2309	1	Prevención de contraflujo N9
387c	S45-2310	1	Prevención de contraflujo 9D
390	S19-430EH	1	Rociador