



A WATTS Brand

DISCONTINUED

S19-310DCFW, S19-310DCR

Drench Shower and Eye/Face Wash Unit with Dust Cover

- Complies with American National Standard Z358.1
- Galvanized Steel Protected with BradTect® Safety Yellow Coating or All Stainless Steel
- Combination Units may be Top-Supplied or Mid-Supplied
- Universal Identification Sign and Inspection Tag Included
- Full, One-Year Warranty
- SpinTec™ showerheads are covered by one or more of the following patents: 8113446; D594,089; D669,555; Reg. Comm. Des. D001079560-0001. Other patents pending.
- Classified by Underwriters Laboratory Inc. to ANSI Z358.1



Specifications

Combination Drench Shower and Eye/Face Wash Unit saves space and fits easily into any work environment. Shower valve operates quickly by a pull rod with a triangular handle. Shower provides a superior washdown with a more even spray pattern. Eye/face wash operated by a large, highly visible push handle. Safe, steady water flow under varying water supply conditions from 30–90 PSI is assured by integral flow control in the sprayhead assembly. NOTE: The ANSI Z358.1 standard requires an uninterrupted supply of flushing fluid at a minimum 30 PSI flowing pressure. Eye/face wash sprayheads contain an antimicrobial agent to protect the sprayheads (S19-310DCFW only).



This plumbing fixture is not intended to dispense water for human consumption through drinking or for preparation of food or beverages.

Model	Description
S19-310DCFW	Drench Shower and Eye/Face Wash with Hinged Dust Cover.
S19-310DCR	Drench Shower and Eye/Face Wash with Hinged Dust Cover and Face Spray Ring.
S19-2100	Navigator EFX25 - Emergency Thermostatic Mixing Valve

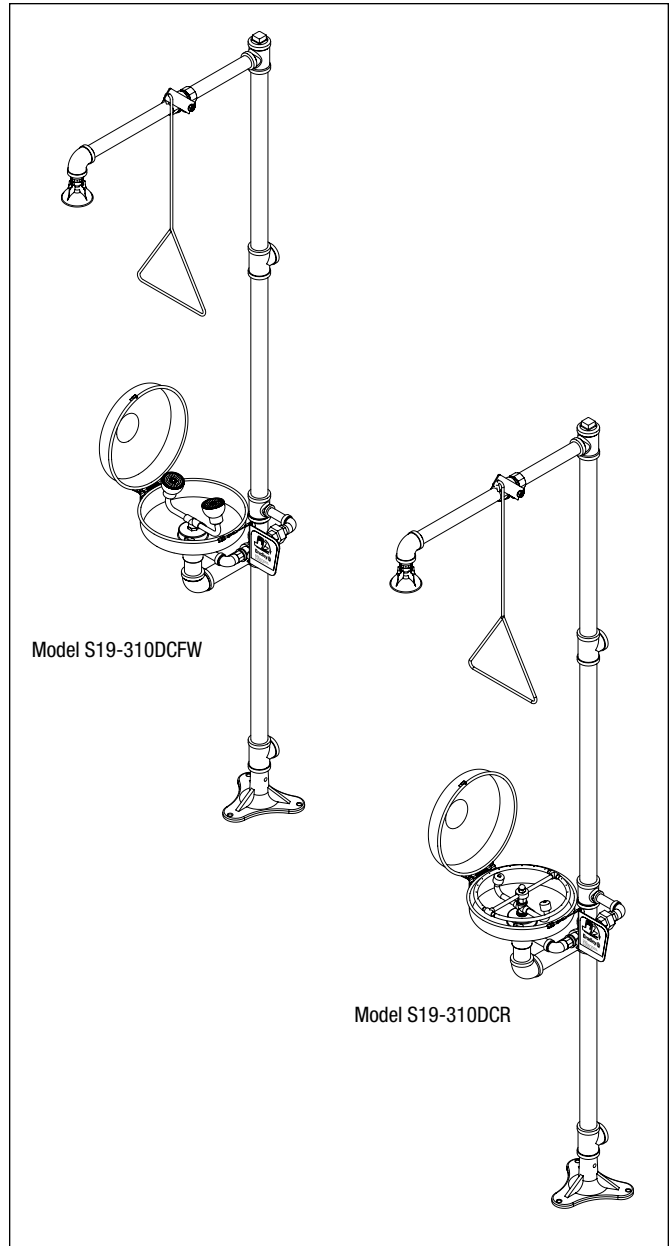
Recommended Option:

Navigator S19-2100 EFX25
Emergency Thermostatic Mixing Valve

NAVIGATOR



Satisfies ANSI Z358.1
tepid water requirements.



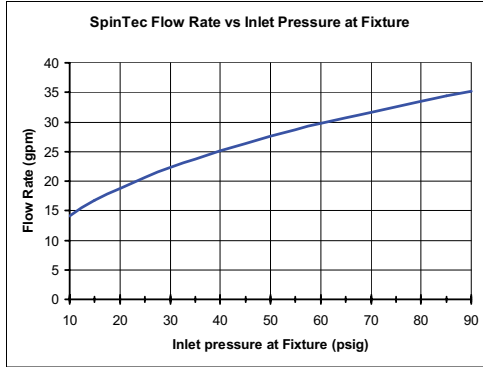


S19-310DCFw, S19-310DCR Drench Shower and Eye/Face Wash Unit with Dust Cover

Standard Equipment

SpinTec™ Showerhead

3.1" (78.7mm) diameter highly visible yellow impact-resistant plastic. SpinTec drench showerhead features integral 22 GPM flow control, conserving water and helping to accurately size your tepid water system.



Shower Valve

Chrome-plated brass 1" NPT stay-open ball valve. Operated by a stainless steel pull rod with triangular handle.

Eyewash Bowl and Hinged Dust Cover

10¾" (273mm) diameter corrosion-resistant stainless steel.

Standard Sprayhead Assembly

Twin ABS plastic perforated-disc eye/face wash heads (S19-310DCFw). Chrome-plated brass sprayhead assembly with twin soft-flow eyewash heads (S19-310DCR). Safe, steady water flow under varying water supply conditions from 30–90 PSI is assured by integral flow control in the sprayhead assembly.

Face Spray Ring (S19-310DCR only)

Chrome-plated circular spray ring provides supplemental face spray. Flow control assures adequate flow from eyewash nozzles and face spray ring from 30–90 PSI.

Eyewash Valve

Chrome-plated brass ½" NPT stay-open ball valve hand operated by highly visible stainless steel push handle.

Pipe and Fittings

1¼" galvanized steel with BradTect® safety yellow coating.

Water Supply

1¼" NPT.



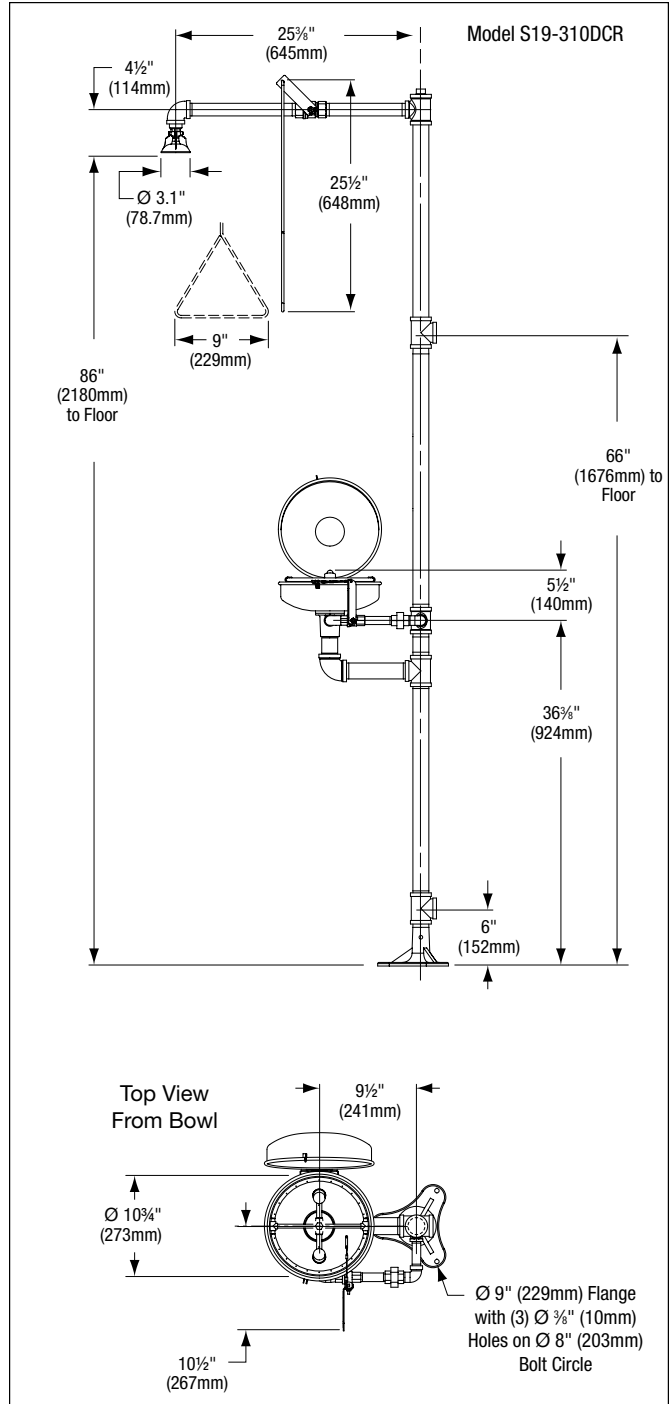
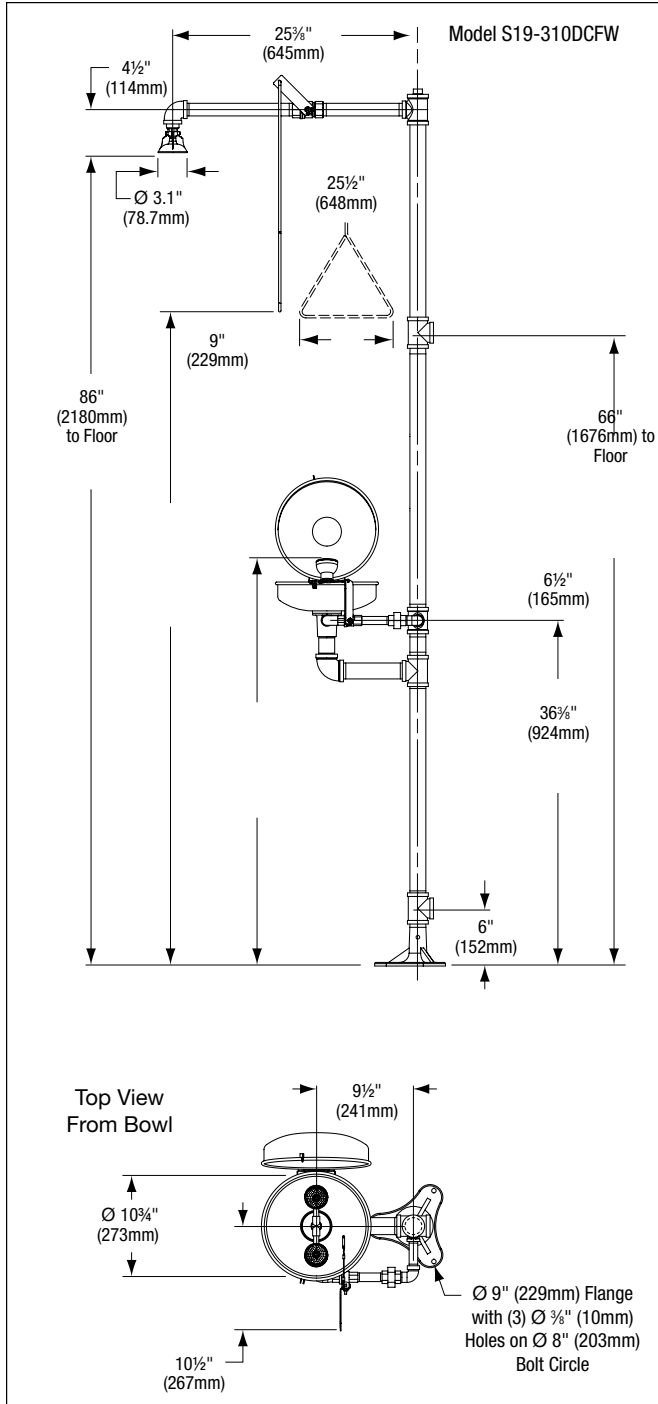
Local codes may require the installation of a backflow prevention valve to complete proper installation. Compliance with local codes is the responsibility of the installer. Valve must be tested annually to verify that it is functioning properly. Backflow prevention valves are not included with the fixture and may be supplied by the contractor or purchased from Bradley Corporation.



A WATTS Brand

S19-310DCFW, S19-310DCR

Drench Shower and Eye/Face Wash Unit with Dust Cover



All dimensions assume standard thread engagement. Variations in manufacturing allow for +/- 1/8" (3mm) per threaded joint. To find the tolerance of a dimension, add the number of thread joints in between a dimension and multiply it by 1/8" (3mm).